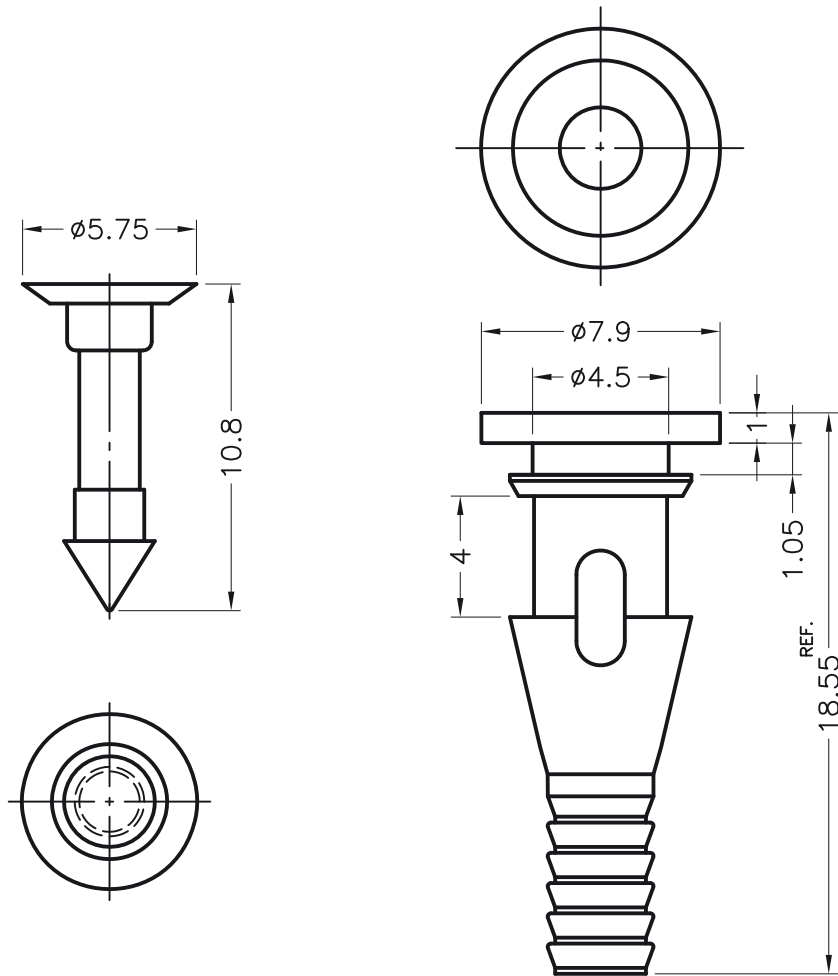



DIM.	TOL
5mm DOWN	±0.2
5~20mm	±0.3
20~40mm	±0.4
40~60mm	±0.5
60~100mm	±0.8
100mm UP	±1.0

REVISIONS			
REV	DESCRIPTION	DATE	BY



MOUNTING HOLE $\phi 4.5 \sim \phi 4.7$

NOTE: All measurement does not include gate which raises under 1.2mm.

				TITLE	FAN SNAP RIVET		
				PIN MATERIAL	PA66 V2 UL94	DATE	17/05/2011
				BODY MATERIAL	TPE	DRAWN	J.D.
PART NUMBER		DRAWING NUMBER		COLOR	BLACK		
10574PF01		11.05.17.10574.0.E		CHECK			
SIZE	SCALE	UNIT	REV	UNLESS OTHERWISE SPECIFIED TOLERANCE	APPROVED		
A4	4:1	mm.	A	SEE ABOVE			