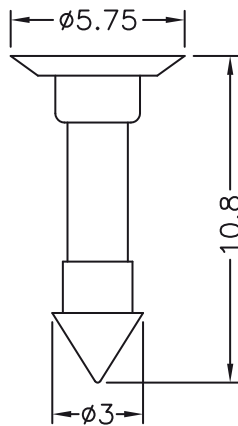
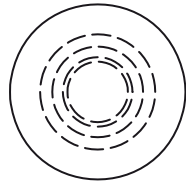
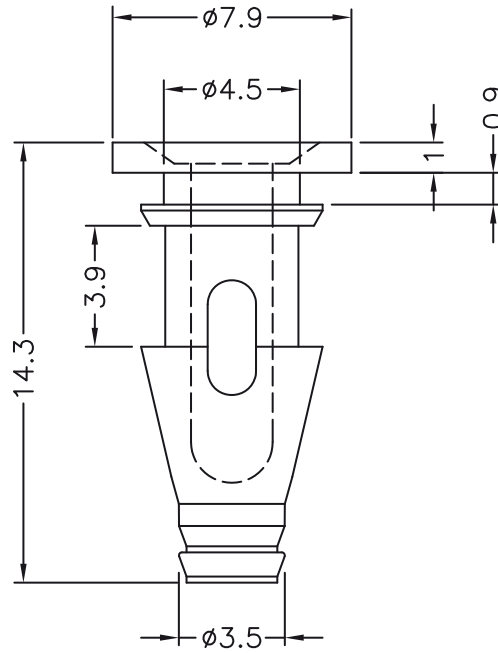
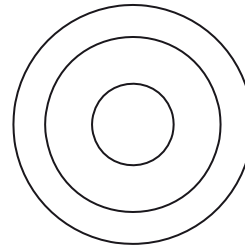


DIM.	TOL
5mm DOWN	±0.2
5~20mm	±0.3
20~40mm	±0.4
40~60mm	±0.5
60~100mm	±0.8
100mm UP	±1.0

REVISIONS			
REV	DESCRIPTION	DATE	BY



PIN



BODY

MOUNTING HOLE $\phi 4.5 \sim \phi 4.7$

NOTE: All measurement does not include gate which raises under 1.2mm.



TITLE	FAN SNAP RIVET	
PIN MATERIAL	PA66 V2 UL94	DATE 17/05/2011
BODY MATERIAL	TPE	DRAWN J.D.
COLOR	BLACK	CHECK
PART NUMBER	10573PF01	DRAWING NUMBER 11.05.17.10573.0.E
SIZE A4	SCALE 4:1	UNIT mm. REV C
UNLESS OTHERWISE SPECIFIED TOLERANCE	SEE ABOVE	APPROVED