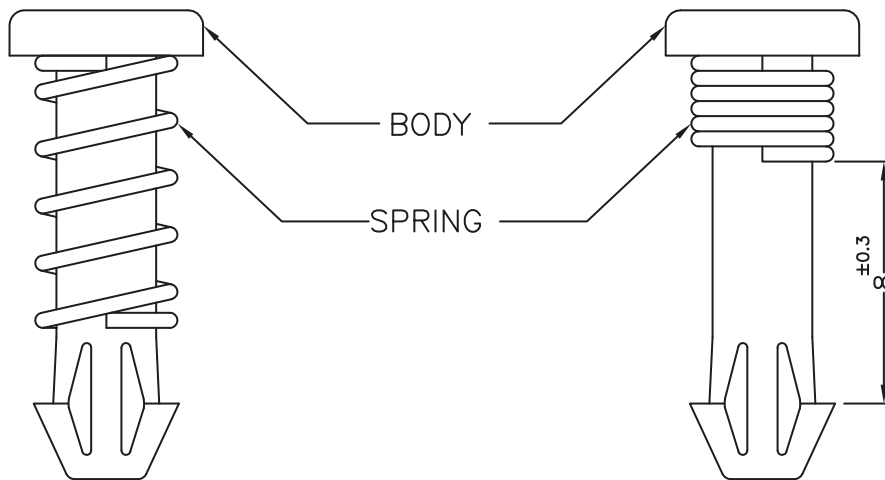
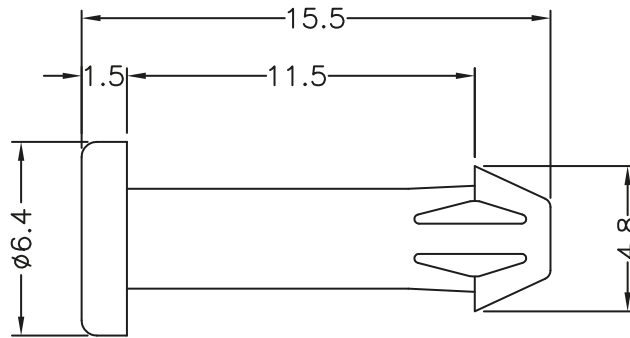



DIM.	TOL
5mm DOWN	±0.2
5~20mm	±0.3
20~40mm	±0.4
40~60mm	±0.5
60~100mm	±0.8
100mm UP	±1.0

REVISIONS			
REV	DESCRIPTION	DATE	BY



HOLE IN PCB $\phi 3.5$
HOLE IN HEAT SINK $\phi 3.7$

				TITLE FAN SNAP RIVET							
				BODY MATERIAL PA 66 V2 (UL94)		DATE 17/05/2011					
PART NUMBER 10564AA01		DRAWING NUMBER 11.05.17.10564.0.E		SPRING MATERIAL SWP		SPRING FINISH NI PLATED		DRAWN D.C			
SIZE A4		SCALE 4:1		UNIT mm.		REV C		BODY COLOR BLACK		CHECK	
				UNLESS OTHERWISE SPECIFIED TOLERANCE SEE ABOVE		APPROVED					