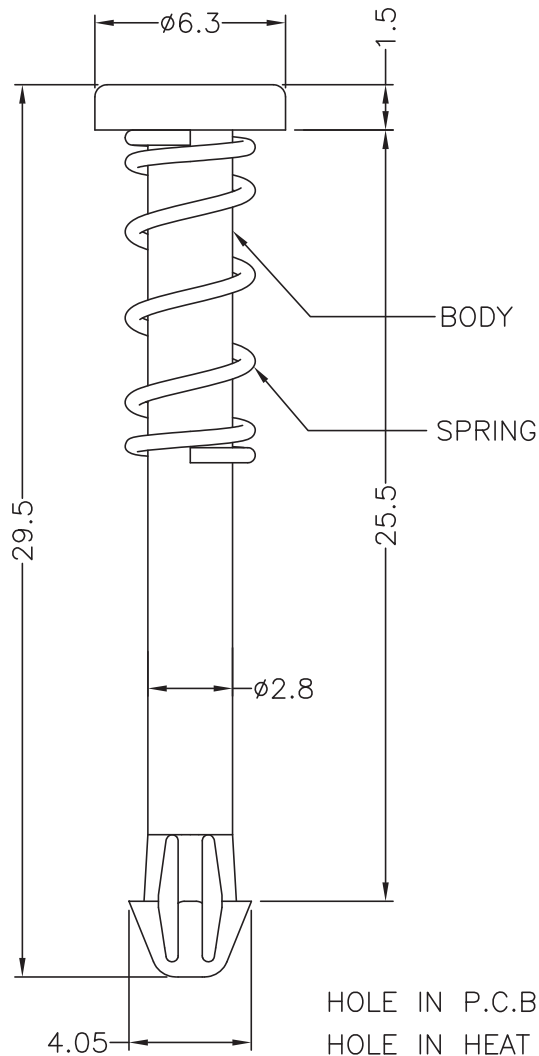


DIM.	TOL
5mm DOWN	±0.2
5~20mm	±0.3
20~40mm	±0.4
40~60mm	±0.5
60~100mm	±0.8
100mm UP	±1.0

REVISIONS			
REV	DESCRIPTION	DATE	BY




HOLE IN P.C.B $\phi 3^{+0.2}_{-0}$
HOLE IN HEAT SINK $\phi 3.2^{+0.2}_{-0}$

NOTE: All measurement does not include gate which raises under 0.3mm.

ROHS (RoHS Compliant)	
★ Pb	<1000PPM
★ Cd	< 100PPM
★ Hg	<1000PPM
★ Cr6+	<1000PPM
★ PBBs	<1000PPM
★ PBDEs	<1000PPM

TOTAL COIL	6
DIRECTION	TO RIGHT
WIRE DIAMETER	$\phi 0.5^{\pm 0.1}$
OUTSIDE DIAMETER	$\phi 4.3^{\pm 0.2}$
FREE LENGTH	11 ^{REF.}

		TITLE FAN SNAP RIVET		DATE 17/05/2011	
		BODY MATERIAL PA 66 V2 (UL94)		DRAWN D.C	
PART NUMBER 10563AA00		DRAWING NUMBER 11.05.17.10563.0.E		BODY COLOR NATURAL	
SIZE A4	SCALE 4:1	UNIT mm.	REV C	UNLESS OTHERWISE SPECIFIED TOLERANCE SEE ABOVE	
				CHECK	
				APPROVED	