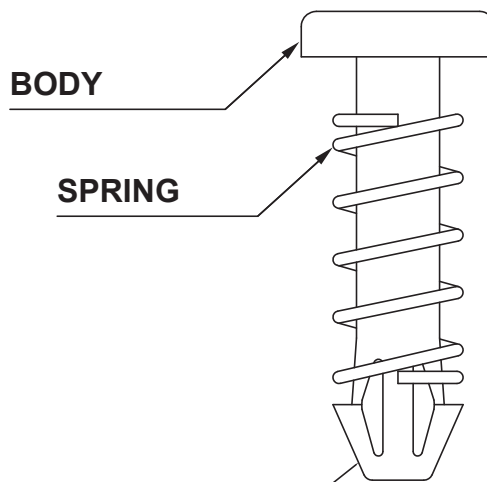
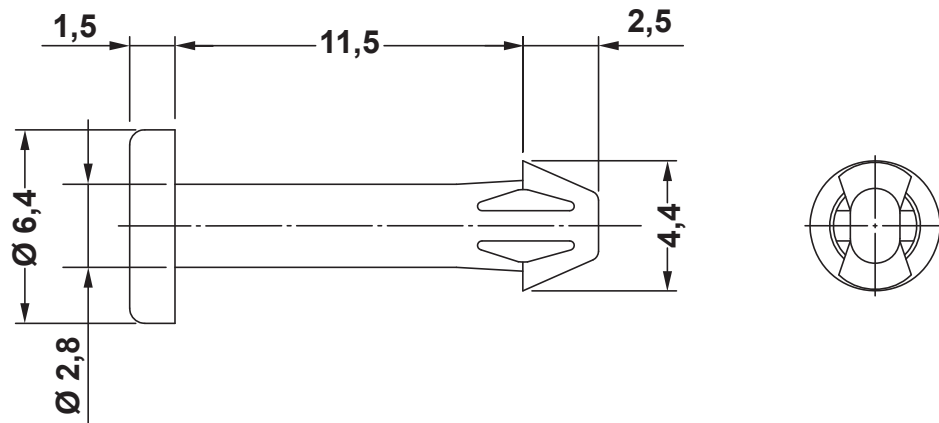



DIM.	TOL
5mm DOWN	±0.2
5~20mm	±0.3
20~40mm	±0.4
40~60mm	±0.5
60~100mm	±0.8
100mm UP	±1.0

REVISIONS			
REV	DESCRIPTION	DATE	BY



HOLE IN PCB $\varnothing 3,0$
HOLE IN HENTSINK $\varnothing 3,2$

				TITLE FAN SNAP RIVET		DATE 07/04/2017	
				BODY MATERIAL PA 66 V2 (UL94)		DRAWN R.F	
PART NUMBER 10561AA01		DRAWING NUMBER 17.04.07.10561.0.E		SPRING MATERIAL SWP		SPRING FINISH NI PLATED	
SIZE A4		SCALE NTS		BODY COLOR BLACK		CHECK	
UNIT mm.		REV C		UNLESS OTHERWISE SPECIFIED TOLERANCE SEE ABOVE		APPROVED	