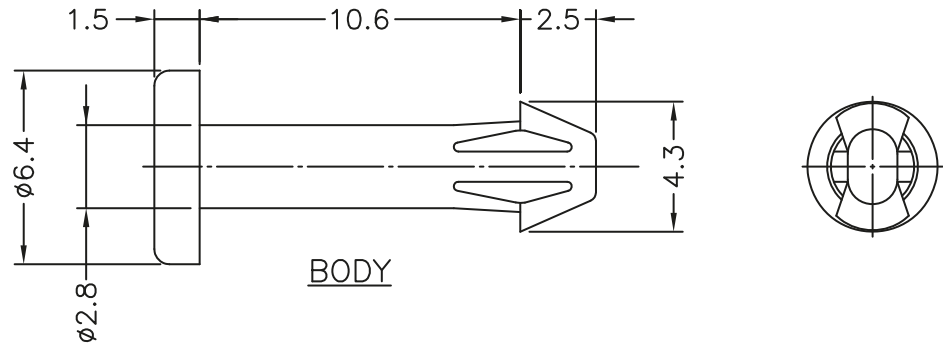
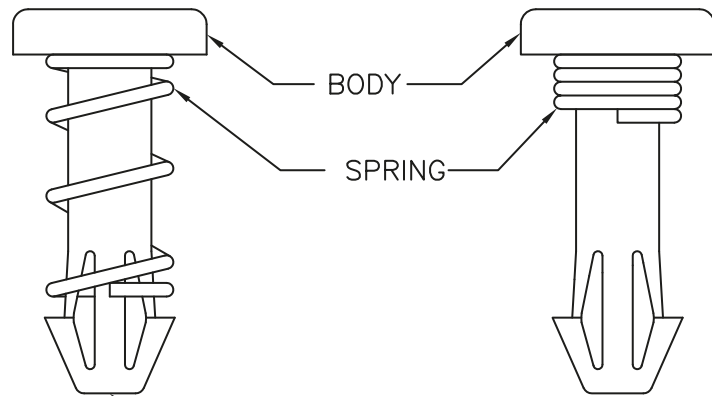


DIM.	TOL
5mm DOWN	±0.2
5~20mm	±0.3
20~40mm	±0.4
40~60mm	±0.5
60~100mm	±0.8
100mm UP	±1.0

REVISIONS			
REV	DESCRIPTION	DATE	BY



Loop Number	4.5
Direction	To Right
Spring Diameter	ø0.45
Outside Diameter	ø4.2
Total Length	8.0 ^{REF.}



HOLE IN PCB ø3^{+0.2}
HOLE IN HEAT SINK ø3.2⁻⁰



TITLE FAN SNAP RIVET		DATE 17/05/2011	
BODY MATERIAL PA 66 V2 (UL94)		DRAWN D.C	
SPRING MATERIAL SWP	SPRING FINISH NI PLATED	CHECK	
BODY COLOR BLACK		APPROVED	
UNLESS OTHERWISE SPECIFIED TOLERANCE SEE ABOVE			

PART NUMBER 10560AA01		DRAWING NUMBER 11.05.17.10560.0.E	
SIZE A4	SCALE NTS	UNIT mm.	REV C