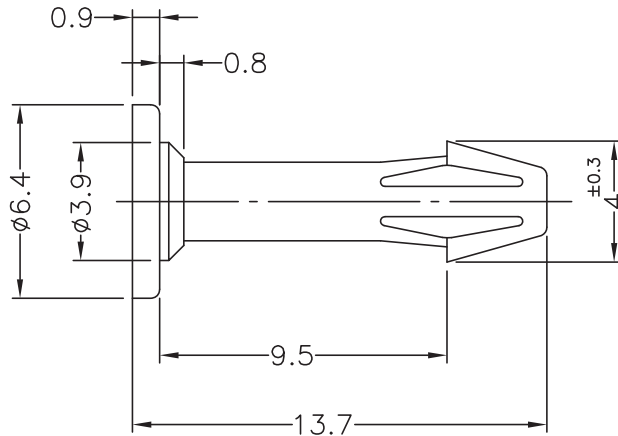


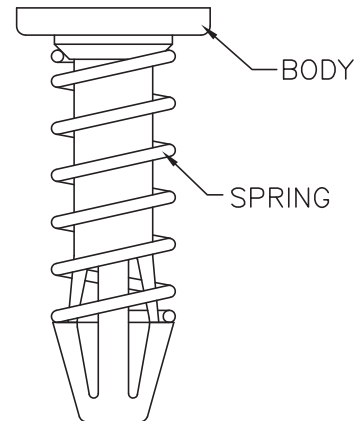
DIM.	TOL
5mm DOWN	±0.2
5~20mm	±0.3
20~40mm	±0.4
40~60mm	±0.5
60~100mm	±0.8
100mm UP	±1.0

REVISIONS			
REV	DESCRIPTION	DATE	BY



BODY


TOTAL COIL	6.5
DIRECTION	TO RIGHT
WIRE DIAMETER	∅0.4 ^{±0.05}
OUTSIDE DIAMETER	∅4.1 ^{±0.3}
FREE LENGTH	9.5 ^{REF.}



HOLE IN PCB ∅3^{+0.2}
HOLE IN HEAT SINK ∅3.2⁻⁰

NOTE:1. All measurement does not include gate which raises under 0.3mm.
2. It is normal if the spring falls off.

ROHS (RoHS Compliant)	
★ Pb	<1000PPM
★ Cd	< 100PPM
★ Hg	<1000PPM
★ Cr6+	<1000PPM
★ PBBs	<1000PPM
★ PBDEs	<1000PPM

		TITLE FAN SNAP RIVET		DATE 17/05/2011	
		BODY MATERIAL PA 66 V0 (UL94)		DRAWN D.C	
PART NUMBER 10559AR00		DRAWING NUMBER 11.05.17.10559.0.E		BODY COLOR BLACK	
SIZE A4	SCALE 4:1	UNIT mm.	REV C	UNLESS OTHERWISE SPECIFIED TOLERANCE SEE ABOVE	
				CHECK	
				APPROVED	