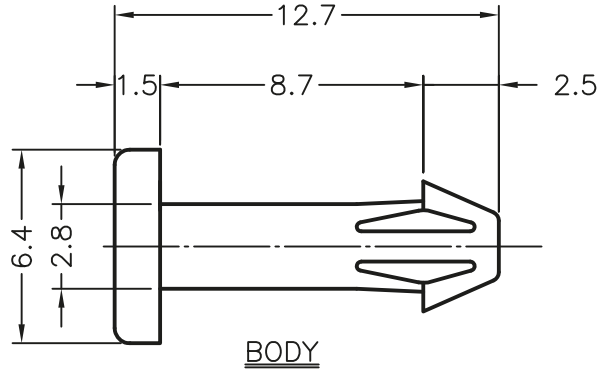
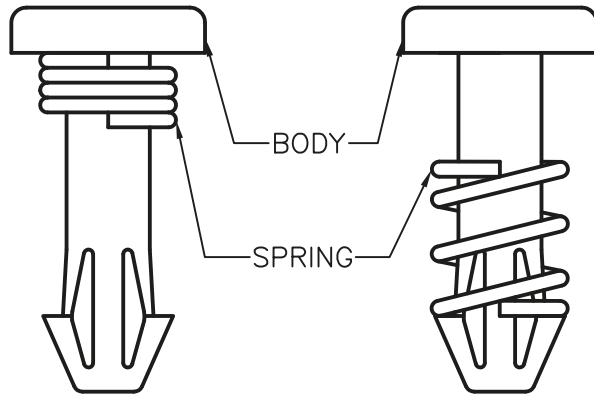


DIM.	TOL
5mm DOWN	±0.2
5~20mm	±0.3
20~40mm	±0.4
40~60mm	±0.5
60~100mm	±0.8
100mm UP	±1.0

REVISIONS			
REV	DESCRIPTION	DATE	BY




TOTAL COIL	4
DIRECTION	TO RIGHT
WIRE DLAMETER	φ0.5 <sup>±0.2</sup>
OUTSIDE DIAMETER	φ4.5 <sup>±0.2</sup>
FREE LENGTH	5.2 <sup>REF.</sup>



HOLE IN PCB φ3  
HOLE IN HEAT SINK φ3.2<sup>+0.2</sup><sub>-0</sub>

PART NO.	COLOR
10558AA01	BLACK
10558AA00	NATURAL

NOTE:All measurement does not include gate which raises under 0.3mm.

				TITLE FAN SNAP RIVET			
				BODY MATERIAL PA 66 V2 (UL94)		DATE 17/05/2011	
SPRING MATERIAL SWP		SPRING FINISH NI PLATED		DRAWN D.C			
PART NUMBER SEE TABLE		DRAWING NUMBER 11.05.17.10558.0.E		BODY COLOR SEE TABLE		CHECK	
SIZE A4	SCALE 4:1	UNIT mm.	REV C	UNLESS OTHERWISE SPECIFIED TOLERANCE SEE ABOVE		APPROVED	