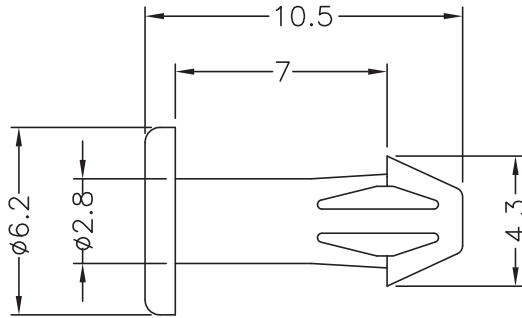


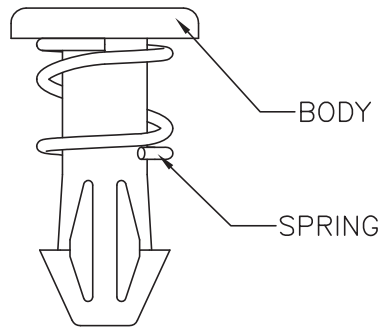
DIM.	TOL
L≤10	±0.2
10<L≤30	±0.3
30<L≤50	±0.5
50<L≤100	±0.7
100<L≤250	±1.2
ABOVE 250	±1.5

REVISIONS			
REV	DESCRIPTION	DATE	BY



BODY


NOTE:1. All measurement does not include gate which raises under 0.3mm.
2. It is normal if the spring falls off.



TOTAL COIL	2.9
DIRECTION	TO RIGHT
WIRE DIAMETER	$\phi 0.4^{\pm 0.05}$
OUTSIDE DIAMETER	$\phi 4.5$
FREE LENGTH	$4.0^{\text{REF.}}$

HOLE IN P.C.B $\phi 3.0^{+0.2}$
HOLE IN HEAT SINK $\phi 3.2^{-0}$

ROHS (RoHS Compliant)	
★ Pb	<1000PPM
★ Cd	< 100PPM
★ Hg	<1000PPM
★ Cr6+	<1000PPM
★ PBBs	<1000PPM
★ PBDEs	<1000PPM

		TITLE FAN SNAP RIVET		DATE 17/05/2011	
		BODY MATERIAL PA 66 V2 (UL94)		DRAWN D.C	
		SPRING MATERIAL SWP	SPRING FINISH NI PLATED	CHECK	
PART NUMBER 10556AA01		DRAWING NUMBER 11.05.17.10556.0.E		BODY COLOR BLACK	
SIZE A4	SCALE 4:1	UNIT mm.	REV C	UNLESS OTHERWISE SPECIFIED TOLERANCE SEE ABOVE	
				APPROVED	