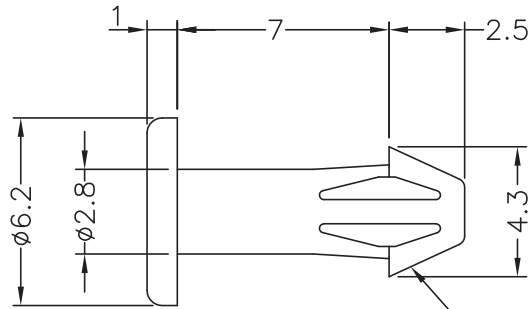
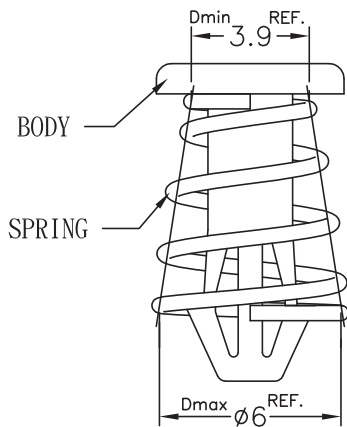


DIM.	TOL
L ≤ 10	±0.2
10 < L ≤ 30	±0.3
30 < L ≤ 50	±0.5
50 < L ≤ 100	±0.7
100 < L ≤ 250	±1.2
ABOVE 250	±1.5

REVISIONS			
REV	DESCRIPTION	DATE	BY



HOLE IN PCB $\phi 3^{+0.2}_{-0}$
HOLE IN HEAT SINK $\phi 3.2$



TOTAL COIL	5
DIRECTION	TO Right
WIRE DLAMETER	$\phi 0.5^{\pm 0.05}$
FREE LENGTH	7.5 ^{REF.}



TITLE FAN SNAP RIVET		DATE 17/05/2011	
BODY MATERIAL PA 66 V2 (UL94)		DRAWN D.C	
FINISH NATURAL		CHECK	
BODY COLOR NATURAL		APPROVED	
UNLESS OTHERWISE SPECIFIED TOLERANCE SEE ABOVE			

PART NUMBER 10556AA00		DRAWING NUMBER 11.05.17.10556.0.E	
SIZE A4	SCALE 4:1	UNIT mm.	REV C