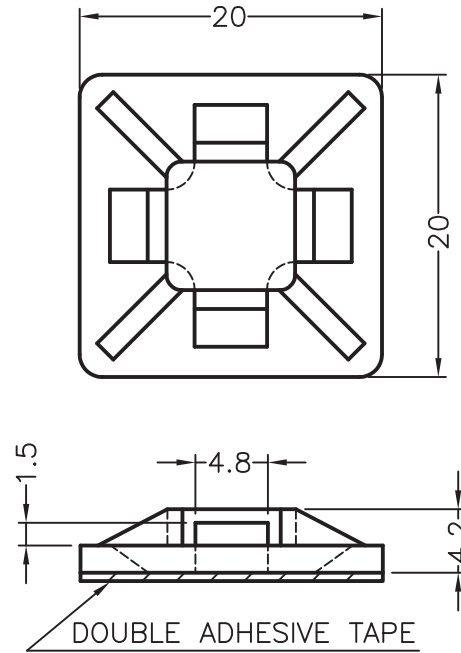


Dimensions	Tolerance
5mm DOWN	±0.2
5~20mm	±0.3
20~40mm	±0.4
40~60mm	±0.5
60~100mm	±0.8
100mm UP	±1.0



REV.	DESCRIPTION	DATE	TITLE: Cable tie mount self adhesive	DWG UNIT: MM
	MATERIAL: PA 66 (UL) 94 V-2		Modelled in RHINO 4.0	FILE: 10/12/14
	COLOUR: NATURAL		TOLLERANCES UNLESS NOTED	DwN:
			.XX= +/-010	ChkD:
			.XXX= +/-005	DT: 14.10.12.10553.E.0
			FRAC.=+/- 1/64	Part Number: 10553AA00AS
			ANG.=+/-1°	
			SHEET: 1 OF 1	
			SCALE:	
			NTS	
			