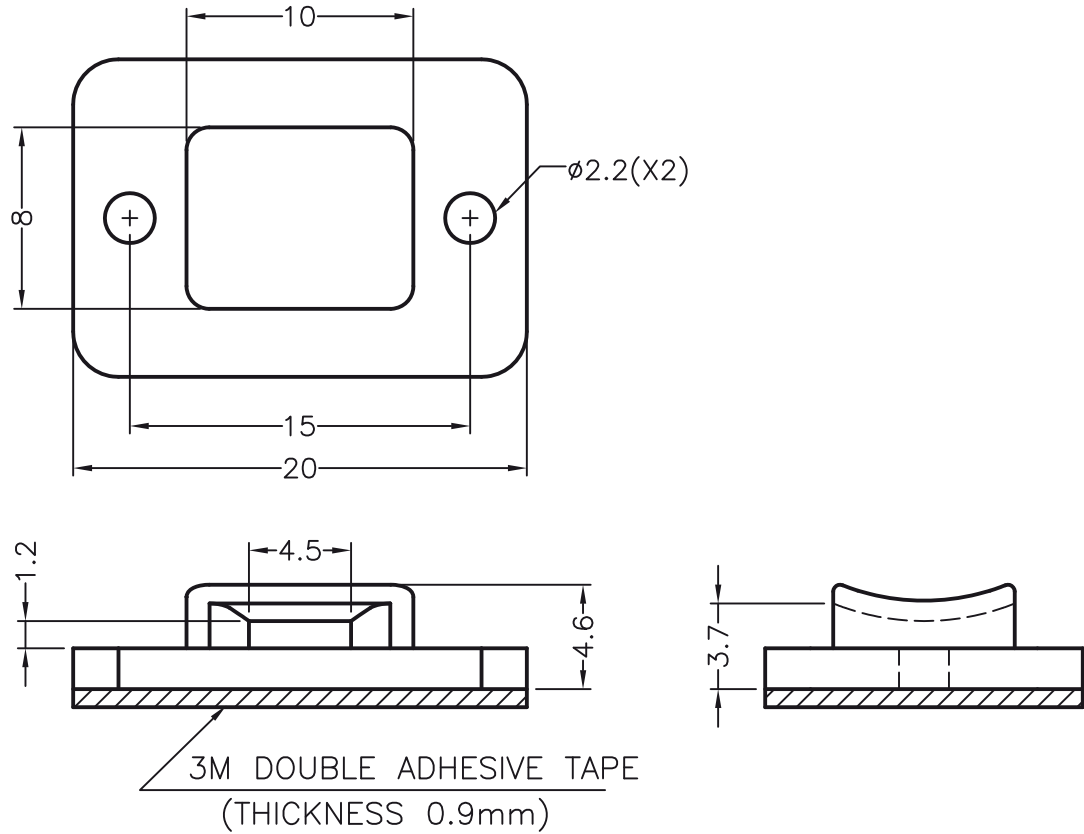



DIM.	TOL
5mm DOWN	±0.2
5~20mm	±0.3
20~40mm	±0.4
40~60mm	±0.5
60~100mm	±0.8
100mm UP	±1.0

REVISIONS			
REV	DESCRIPTION	DATE	BY



NOTE:1.Height include adhesive tape , not include release paper.  
2.the adhesive tape is cut by hand ,it is normal if there is a not unified edge.

		TITLE	CABLE TIE MOUNT	
		MATERIAL	PA 66 V2 UL 94	DATE 17/05/2011
PART NUMBER 10548AA00AS		DRAWING NUMBER 11.05.17.10548.0.E	FINISH	DRAWN J.D.
SIZE A4	SCALE 3:1	UNIT mm.	REV C	COLOR NATURAL
UNLESS OTHERWISE SPECIFIED TOLERANCE			SEE ABOVE	CHECK APPROVED