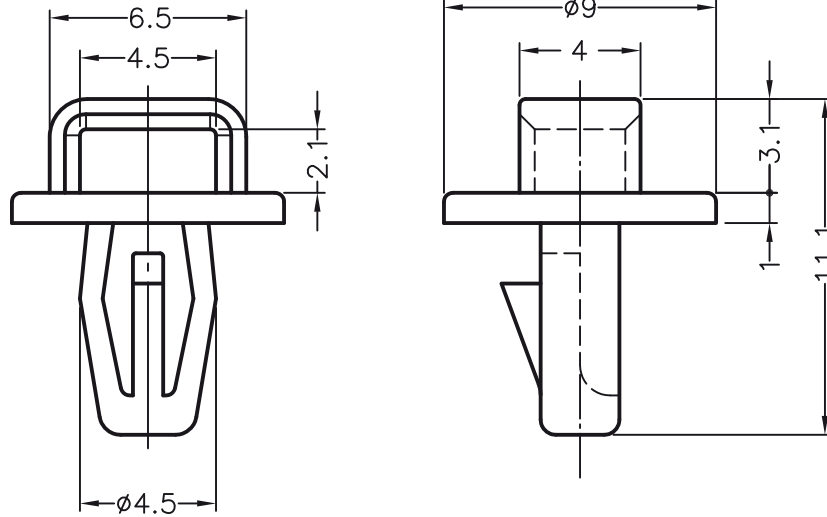



DIM.	TOL
5mm DOWN	±0.2
5~20mm	±0.3
20~40mm	±0.4
40~60mm	±0.5
60~100mm	±0.8
100mm UP	±1.0

REVISIONS			
REV	DESCRIPTION	DATE	BY



HOLE IN P.C.B: $\phi 4.0$
P.C.B THICKNESS: 1.6~2.0

NOTE: All measurement does not include gate which raises under 0.3mm.

		TITLE	CABLE TIE MOUNT	
		MATERIAL	PA 66 V2 UL 94	DATE 17/05/2011
PART NUMBER 10547AA00		DRAWING NUMBER 11.05.17.10547.0.E	FINISH	DRAWN J.D.
SIZE A4	SCALE 4:1	UNIT mm.	REV C	COLOR NATURAL
UNLESS OTHERWISE SPECIFIED TOLERANCE			SEE ABOVE	CHECK APPROVED