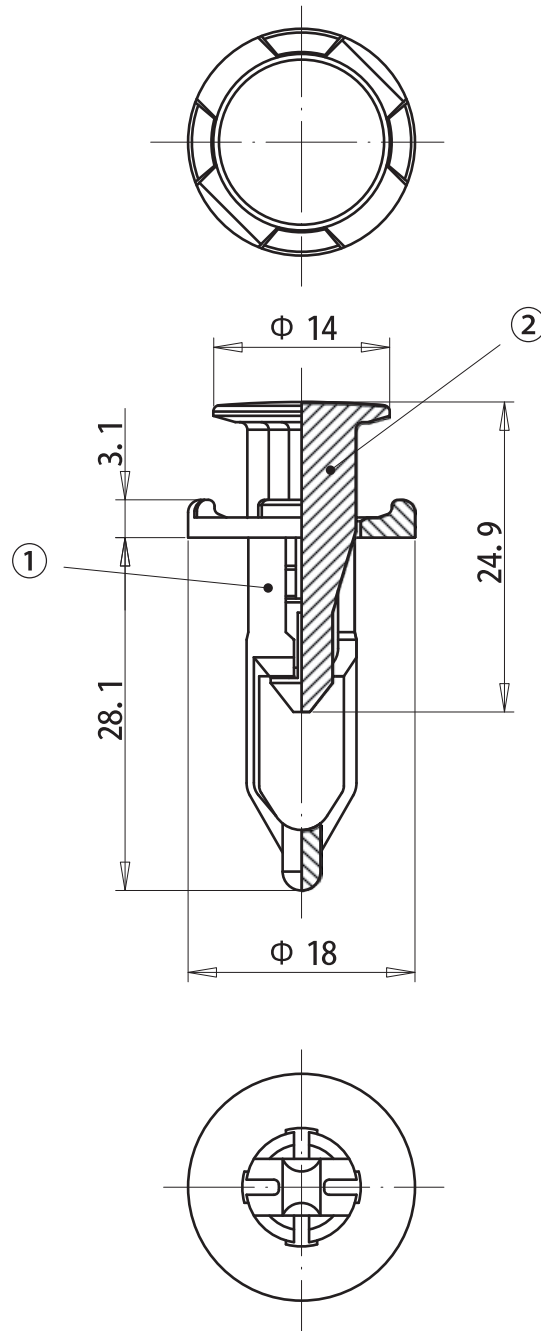



DIM.	TOL.
5mm DOWN	±0.2
5~20mm	±0.3
20~40mm	±0.4
40~60mm	±0.5
60~100mm	±0.8
100mm UP	±1.0

REVISIONS			
REV	DESCRIPTION	DATE	BY



Hole Diam: $\varnothing 9.0$
 Panel Thickness: 3.8 - 4.8

				TITLE TURN RIVET	
				MATERIAL 1 POM UL94HB	DATE 15/09/2015
PART NUMBER 10528GA01				MATERIAL 2 PBT UL94HB	
				DRAWN S.P.	
DRAWING NUMBER 15.09.15.10528.0.E				COLOR BLACK	
				CHECK	
SIZE A4	SCALE 2:1	UNIT mm	REV A	UNLESS OTHERWISE SPECIFIED TOLERANCE SEE ABOVE	
				APPROVED	