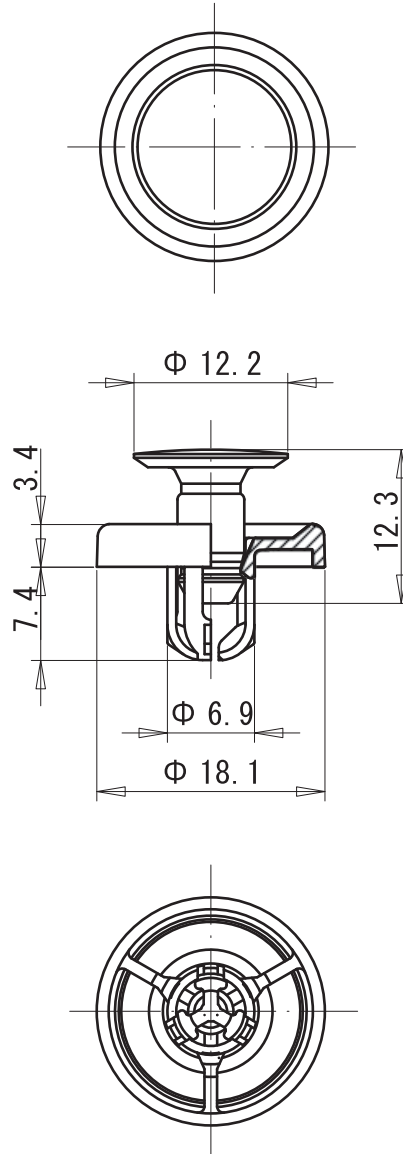



| DIM. | TOL. |
|----------|------|
| 5mm DOWN | ±0.2 |
| 5~20mm | ±0.3 |
| 20~40mm | ±0.4 |
| 40~60mm | ±0.5 |
| 60~100mm | ±0.8 |
| 100mm UP | ±1.0 |

| REVISIONS | | | |
|-----------|-------------|------|----|
| REV | DESCRIPTION | DATE | BY |
| | | | |
| | | | |



Hole Diam: $\varnothing 7.2$
 Panel Thickness: 3.0 - 4.0



| | | | | | |
|--|--------------|--------------------------------------|----------|---|--------------------|
|  | | | | TITLE TURN RIVET | |
| | | | | MATERIAL 1 POM UL94HB | DATE 15/09/2015 |
| | | | | MATERIAL 2 | DRAWN S.P. |
| PART NUMBER 10523GA01 | | DRAWING NUMBER 15.09.15.10523.0.E | | COLOR BLACK | |
| SIZE A4 | SCALE 5:3 | UNIT mm | REV A | UNLESS OTHERWISE SPECIFIED TOLERANCE SEE ABOVE | |
| | | | | CHECK | |
| | | | | APPROVED | |