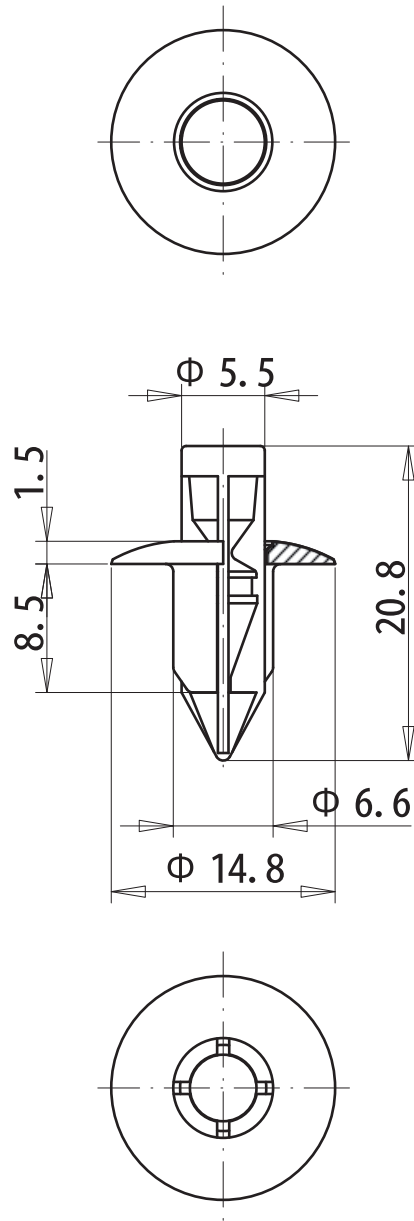


DIM.	TOL.
5mm DOWN	±0.2
5~20mm	±0.3
20~40mm	±0.4
40~60mm	±0.5
60~100mm	±0.8
100mm UP	±1.0

REVISIONS			
REV	DESCRIPTION	DATE	BY



Hole Diam: $\Phi 7.0$
 Panel thickness: 3.0 - 3.5



				TITLE TURN RIVET			
				MATERIAL 1 POM UL94HB	DATE 15/09/2015		
				MATERIAL 2	DRAWN S.P.		
PART NUMBER 10520GA01		DRAWING NUMBER 15.09.15.10520.0.E		COLOR BLACK		CHECK	
SIZE A4	SCALE 2:1	UNIT mm	REV A	UNLESS OTHERWISE SPECIFIED TOLERANCE SEE ABOVE		APPROVED	