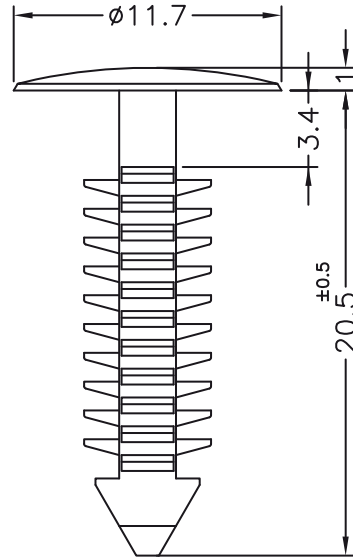
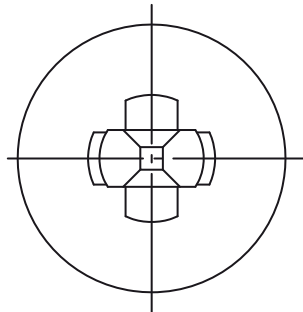


DIM.	TOL
5mm DOWN	±0.2
5~20mm	±0.3
20~40mm	±0.4
40~60mm	±0.5
60~100mm	±0.8
100mm UP	±1.0

REVISIONS			
REV	DESCRIPTION	DATE	BY



MOUNTING HOLE: $\phi 4.8$
 PANEL THICKNESS: 4~25



fastpoint		TITLE	PINE TREE CLIP	
		MATERIAL	PA66 V2 UL94	DATE 17/05/2011
		FINISH		DRAWN D.C.
		COLOR	BLACK	CHECK
PART NUMBER 10508AA01	DRAWING NUMBER 11.05.17.10508.0.E	UNLESS OTHERWISE SPECIFIED TOLERANCE SEE ABOVE		APPROVED
SIZE A4	SCALE 3:1	UNIT mm.	REV A	