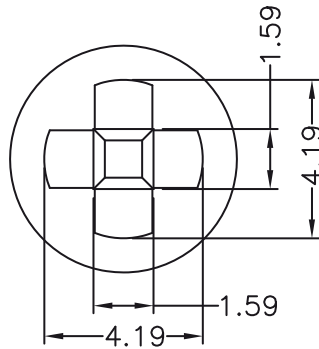
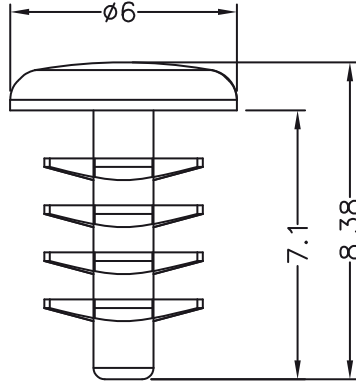



DIM.	TOL
5mm DOWN	±0.2
5~20mm	±0.3
20~40mm	±0.4
40~60mm	±0.5
60~100mm	±0.8
100mm UP	±1.0

REVISIONS			
REV	DESCRIPTION	DATE	BY



		TITLE	MOUNTING BUTTON			
		MATERIAL	PA66 V2 UL94	DATE	17/05/2011	
PART NUMBER 10506AA00		DRAWING NUMBER 11.05.17.10506.0.E		FINISH	DRAWN	J.D.
				COLOR	NATURAL	CHECK
SIZE	SCALE	UNIT	REV	UNLESS OTHERWISE SPECIFIED TOLERANCE	APPROVED	
A4	5:1	mm.	C	SEE ABOVE		