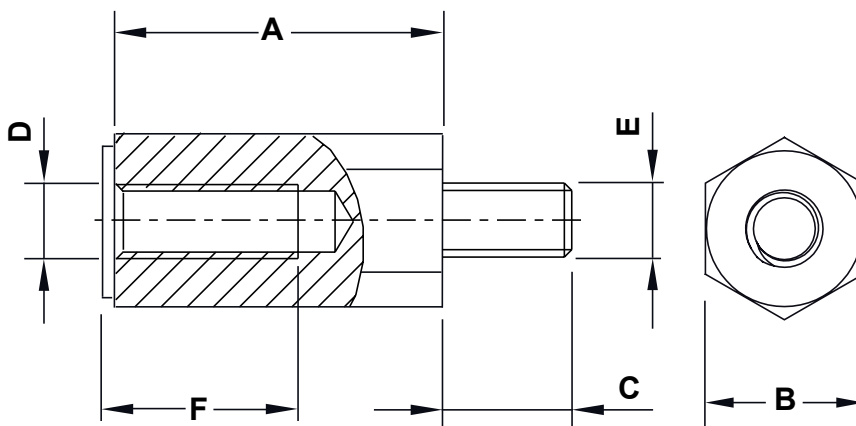


DIM.	TOL.
5mm DOWN	±0.2
5~20mm	±0.3
20~40mm	±0.4
40~60mm	±0.5
60~100mm	±0.8
100mm UP	±1.0

REVISIONS			
REV	DESCRIPTION	DATE	BY



B	D - E	C	A
6,0	M2.5 / M2.5	8,0	4,0 - 45,0



By order pls add the length of the requested Part at the end of the Part No.

Example:

6920AA0108.00 for a Spacer with a length of 8.0 mm

Increments: 1,0 mm

Special request only:

Colour: White

Material code: AA02 instead of AA01 used



TITLE  
**HEXAGONAL METRIC THREADED SPACER**

MATERIAL	PA6.6 HB (UL94)	DATE	12/06/2017
		DRAWN	R.F.
COLOR	BLACK	CHECK	
UNLESS OTHERWISE SPECIFIED TOLERANCE	SEE ABOVE	APPROVED	

PART NUMBER		DRAWING NUMBER	
10015AA01		17.06.12.10015.0.E	
SIZE	SCALE	UNIT	REV
A4	NTS	mm.	A