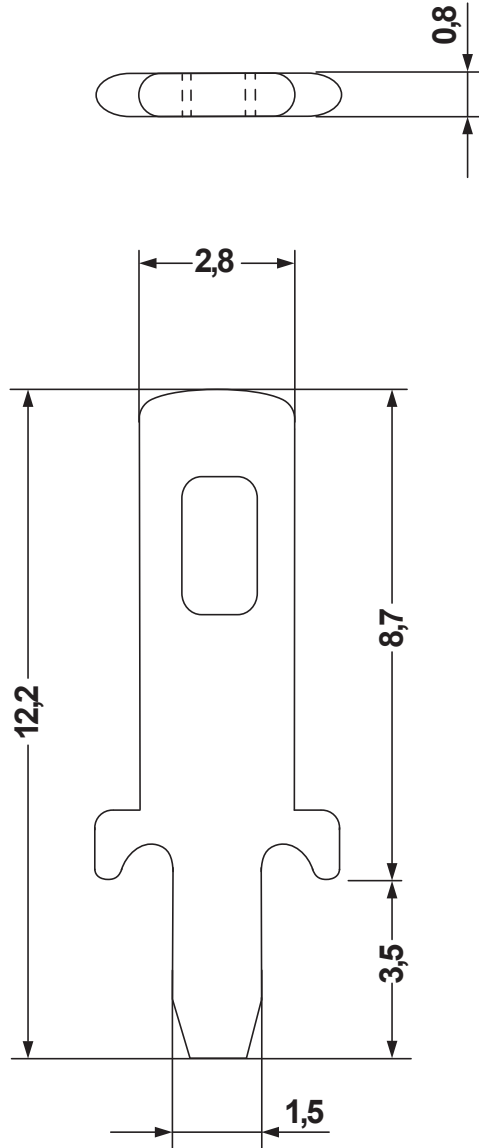


DIM.	TOL.
5mm DOWN	±0.2
5~20mm	±0.3
20~40mm	±0.4
40~60mm	±0.5
60~100mm	±0.8
100mm UP	±1.0

REVISIONS			
REV	DESCRIPTION	DATE	BY



fastpoint		TITLE TABS FOR P.C.B. 2,8	
		MATERIAL TIN-PLATED BRASS	DATE 08/05/2017
		DRAWN R.F.	
PART NUMBER 0901MA91	DRAWING NUMBER 15.09.15.0901.E	COLOR	CHECK
SIZE A4	SCALE NTS	UNIT mm	REV A
UNLESS OTHERWISE SPECIFIED TOLERANCE SEE ABOVE			APPROVED