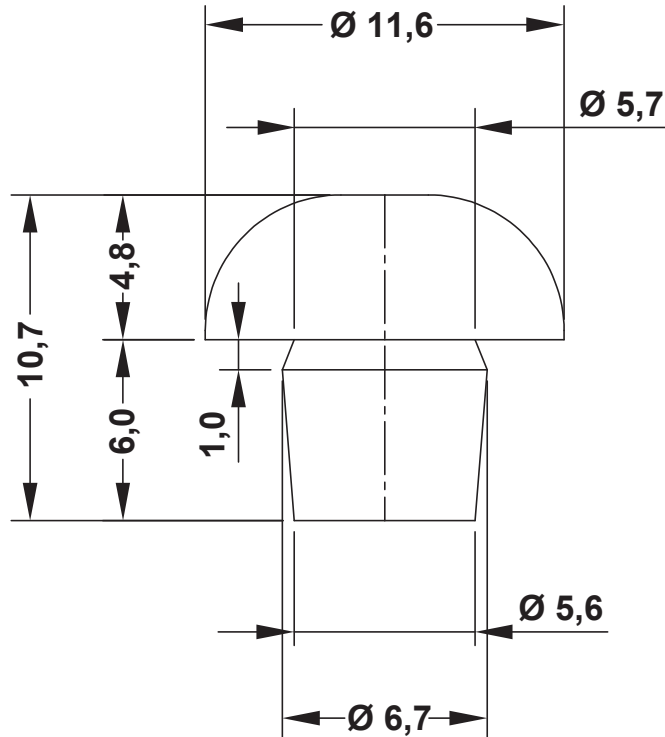


DIM.	TOL.
5mm DOWN	±0.2
5~20mm	±0.3
20~40mm	±0.4
40~60mm	±0.5
60 100mm	±0.8
100mm UP	±1.0

REVISIONS			
REV	DESCRIPTION	DATE	BY



P/N	COLOUR
0446CA01	BLACK
0446CA02	WHITE



fastpoint		TITLE FEETS AND PUSH-IN BUMPERS			
		MATERIAL PVC SHORE A 50	DATE 03/05/2017		
		COLOR SEE TABLE	DRAWN R.F.		
PART NUMBER SEE TABLE	DRAWING NUMBER 17.05.03.0446.0.E	CHECK			
SIZE A4	SCALE NTS	UNIT mm	REV A	UNLESS OTHERWISE SPECIFIED TOLERANCE SEE ABOVE	APPROVED