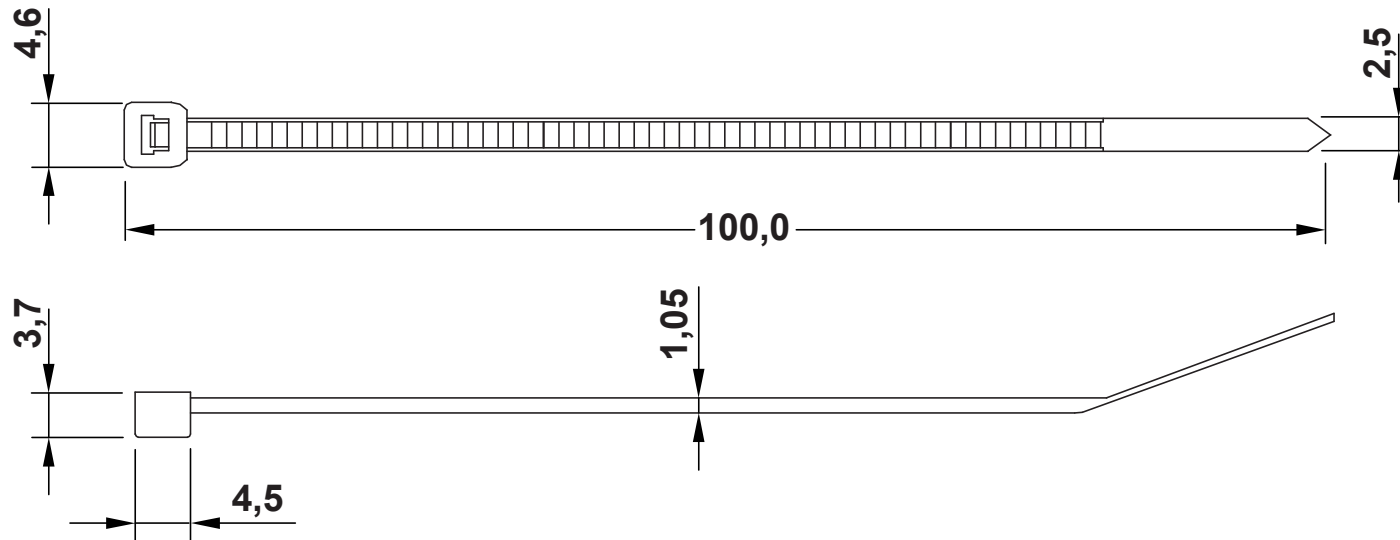


DIM.	TOL
5mm DOWN	±0.2
5~20mm	±0.3
20~40mm	±0.4
40~60mm	±0.5
60~100mm	±0.8
100mm UP	±1.0

REVISIONS			
REV	DESCRIPTION	DATE	BY



**MAX BUNDLE DIAMETER: 21,0**  
**MIN. LOOP TENSILE: KG 8,10**

REV.	DESCRIPTION	DATE	TITLE: STANDARD CABLE TIES	DWG UNIT: MM
	MATERIAL: PA66 V2(UL94)		Modelled in RHINO 4.0	FILE: DwN: 08.12.05.0377.E.0
	COLOUR: NATURAL		TOLLERANCES UNLESS NOTED	ChkD: DT: 12/05/08
			SEE ABOVE	Part Number: 0377AA00
			SCALE: NTS	fastpoint