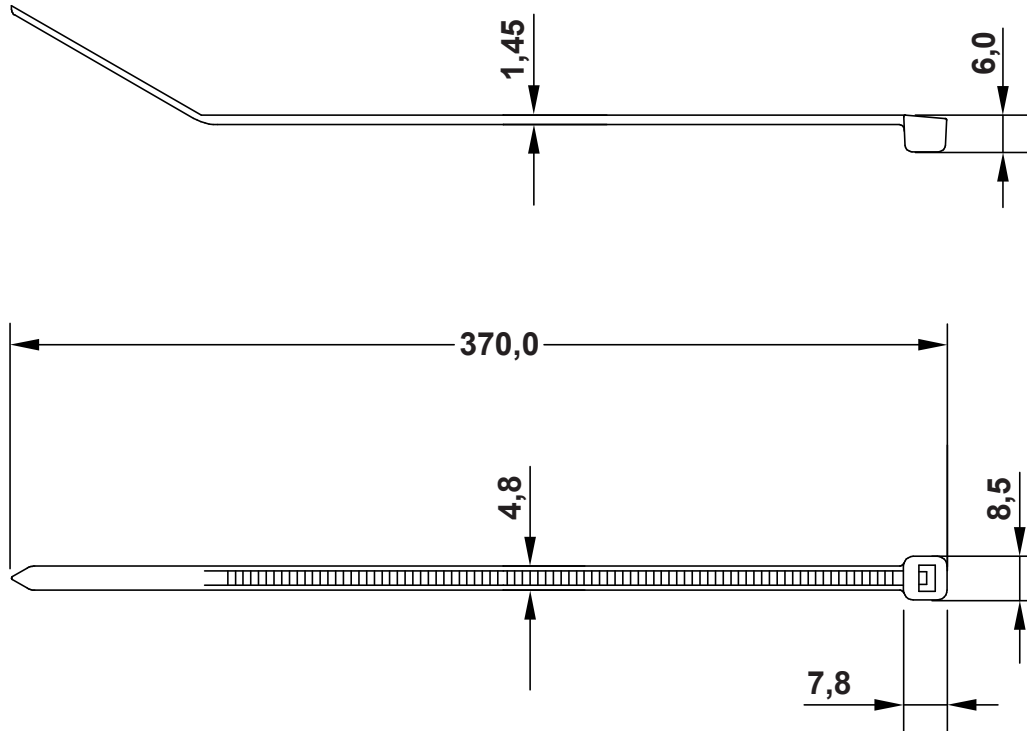



DIM.	TOL.
5mm DOWN	±0.2
5~20mm	±0.3
20~40mm	±0.4
40~60mm	±0.5
60~100mm	±0.8
100mm UP	±1.0

REVISIONS			
REV	DESCRIPTION	DATE	BY



NOTES:

- MAX CABLE DIAMETER: Ø 102,0 mm
- MIN. LOOP TENSILE STRENGTH: 22,2 kg
- WORKING TEMPERATURE -35°C - +85°C

				TITLE STANDARD CABLE TIES			
				MATERIAL PA66 V2 (UL94)	DATE 04/07/2017		
				DRAWN R.F.			
PART NUMBER 0376AA00		DRAWING NUMBER 17.07.04.0376.0.E		COLOR NATURAL		CHECK	
SIZE A4	SCALE NTS	UNIT mm	REV A	UNLESS OTHERWISE SPECIFIED TOLERANCE SEE ABOVE		APPROVED	