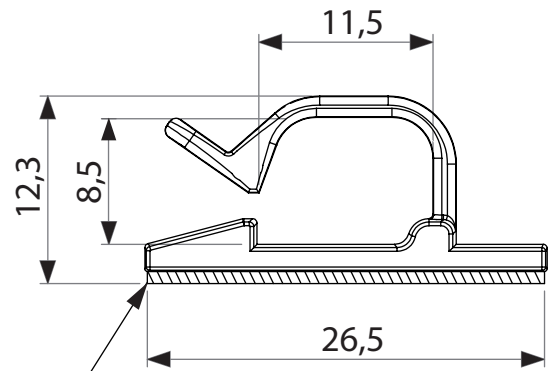
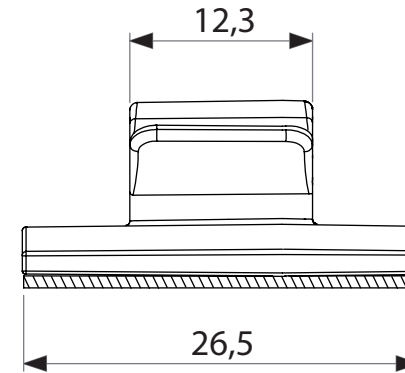


DIM.	TOL
5mm DOWN	±0.2
5~20mm	±0.3
20~40mm	±0.4
40~60mm	±0.5
60~100mm	±0.8
100mm UP	±1.0



DOUBLE ACRYLIC ADHESIVE TAPE
(THICKNESS 1.0 mm)



REV.	DESCRIPTION	DATE	TITLE: SELF ADHESIVE CABLE CLIP	DWG UNIT: MM
	MATERIAL: PA66 V2 (UL94)		Modelled in RHINO 4.0	FILE:
	COLOUR: NATURAL		TOLLERANCES UNLESS NOTED	DwN: 12/11/12
	OPERATING TEMPERATURE ADHESIVE: -40°C ~100°C		.XX= +/-010	DT: 12.11.12.0039.E.0
			.XXX= +/-005	ChkD:
			FRAC.= +/- 1/64	Part Number: 0039AA00CS
			ANG.= +/-1°	
			SHEET: 1 OF 1	
			SCALE:	
			NTS	

