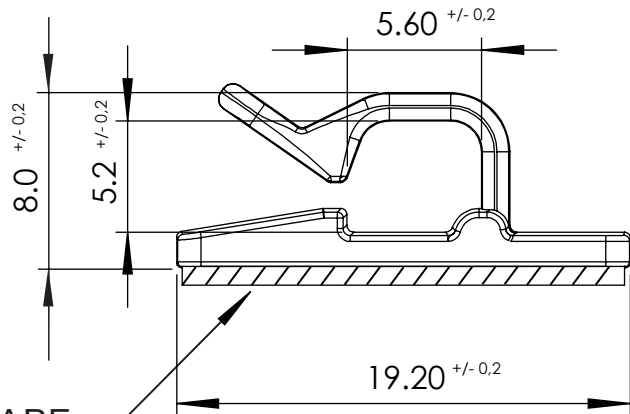
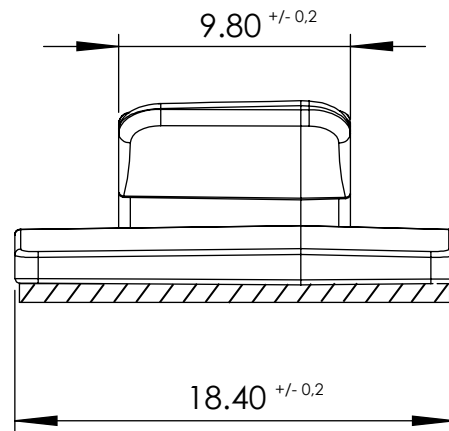



**REVISIONS**

REV	DESCRIPTION	DATE	BY



**DOUBLE ACRYLIC ADHESIVE TAPE**  
(THICKNESS 0.8 mm)



				TITLE <b>SELF-ADHESIVE CABLE CLIP</b>			
				MATERIAL <b>PA 6.6</b>		DATE <b>15/09/2015</b>	
				ADESIVO <b>ACRYLIC ADHESIVE RUBBER BASE</b>		DRAWN <b>S.P.</b>	
PART NUMBER <b>0038AA00CS</b>		DRAWING NUMBER <b>15.09.15.0038.0.E</b>		COLOR <b>NATURAL</b>		CHECK	
SIZE <b>A4</b>	SCALE <b>NTS</b>	UNIT <b>mm</b>	REV <b>A</b>	UNLESS OTHERWISE SPECIFIED TOLERANCE <b>SEE ABOVE</b>		APPROVED	