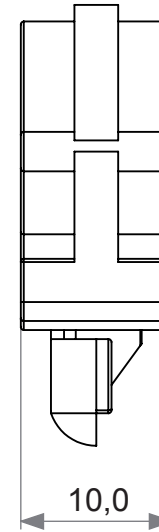
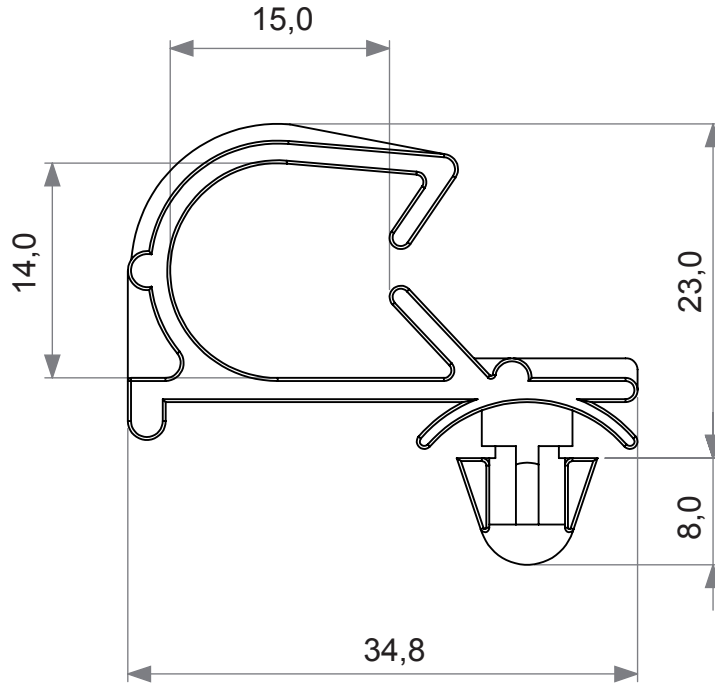


Dimensions	Tolerance
5mm DOWN	±0.2
5~20mm	±0.3
20~40mm	±0.4
40~60mm	±0.5
60~100mm	±0.8
100mm UP	±1.0



PANEL HOLE: Ø 6,5
THICKNESS: 0,8 - 2,5

REV.	DESCRIPTION	DATE	TITLE: WIRE CLIP -SIDE OPENING	FILE: 09/12/14 SHEET: 1 OF 1	DwN: DT: 14.09.12.0022E.0	DWG UNIT: MM	ChkD: Part Number: 0022AA00
	MATERIAL: PA 66 (UL) 94 V-2 COLOUR: NATURAL		TOLLERANCES UNLESS NOTED .XX= +/-010 .XXX= +/-005 FRAC.=+/- 1/64 ANG.=+/-1°	SCALE: NTS			

