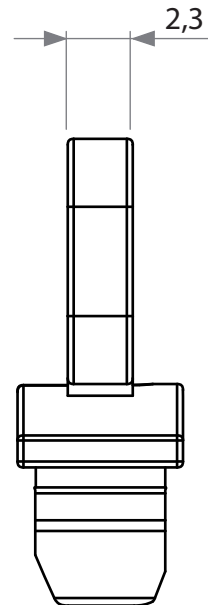
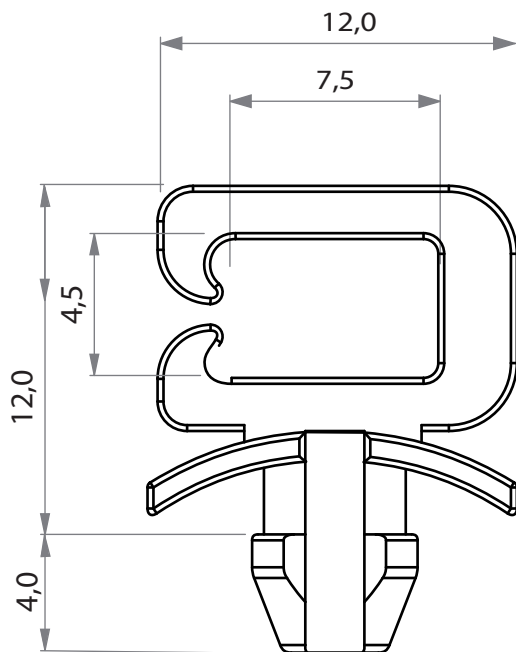
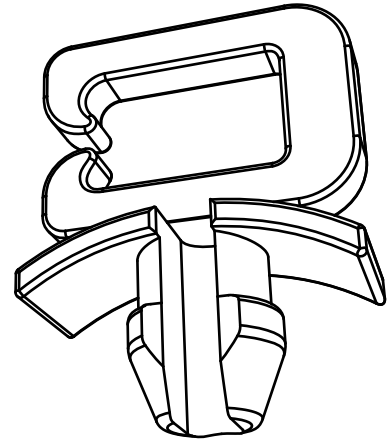



DIM.	TOL
5mm DOWN	±0.2
5~20mm	±0.3
20~40mm	±0.4
40~60mm	±0.5
60~100mm	±0.8
100mm UP	±1.0

REVISIONS			
REV	DESCRIPTION	DATE	BY



PANEL HOLE: Ø 4,8
THICKNESSS: 0,5 - 1,5

				TITLE WIRE CLIP - SIDE OPENING	
				MATERIAL PA66 V2 UL94	DATE 17/06/2015
PART NUMBER 0017AA00				DRAWING NUMBER 11.05.17.0017.0.E	
				FINISH	DRAWN D.C.
SIZE A4				COLOR NATURAL	
				SCALE NTS	CHECK
UNIT mm.				UNLESS OTHERWISE SPECIFIED TOLERANCE	
				APPROVED	
REV C					