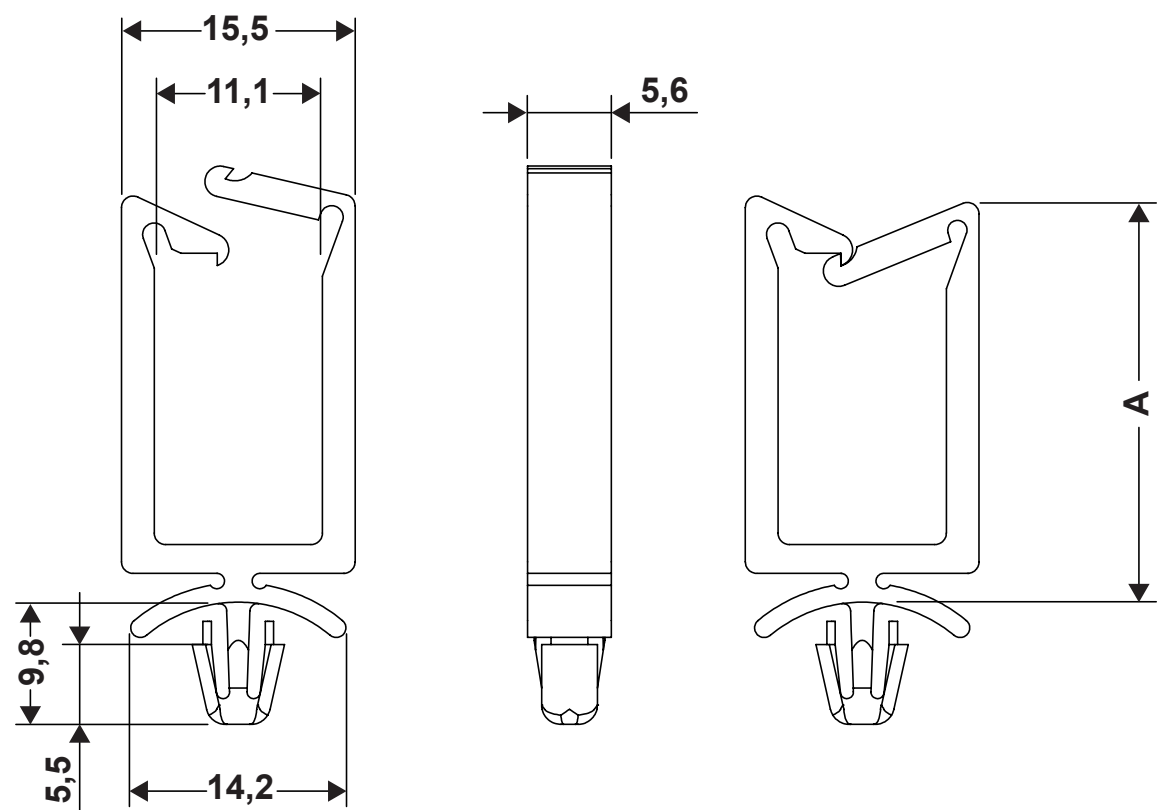



DIM.	TOL.
5mm DOWN	±0.2
5~20mm	±0.3
20~40mm	±0.4
40~60mm	±0.5
60~100mm	±0.8
100mm UP	±1.0

REVISIONS			
REV	DESCRIPTION	DATE	BY



P/N	A	HOLE	THICKNESS
9899AA00	13,0	Ø4,8	0,8 - 2,0
9900AA00	18,0	Ø4,8	0,8 - 2,0
9901AA00	27,2	Ø4,8	0,8 - 2,0
9902AA00	35,1	Ø4,8	0,8 - 2,0
9903AA00	13,0	Ø4,8	2,6 - 3,6
9904AA00	18,0	Ø4,8	2,6 - 3,6
9905AA00	27,2	Ø4,8	2,6 - 3,6
9906AA00	35,1	Ø4,8	2,6 - 3,6

		TITLE WIRE CLIPS TOP OPENING	
		MATERIAL PA66 V2(UL94)	DATE 19/10/2017
PART NUMBER SEE TABLE		DRAWN R.F.	
DRAWING NUMBER 17.10.19.9XXX.0.E		CHECK	
SIZE A4	SCALE NTS	COLOR NATURAL	APPROVED
UNIT mm	REV A	UNLESS OTHERWISE SPECIFIED TOLERANCE SEE ABOVE	