

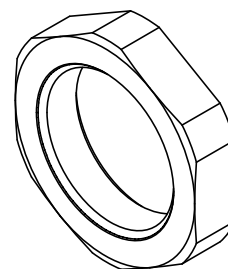
1

2

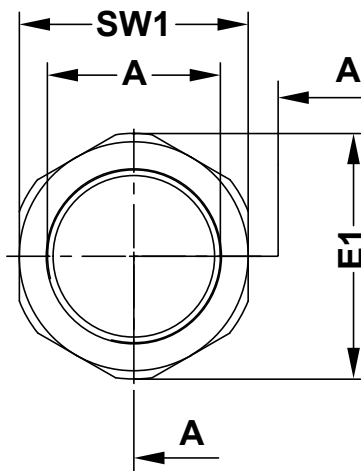
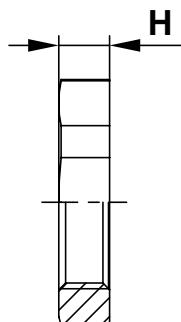
3

4

A



A-A



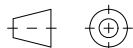
B

C

D

Part no.	A	SW1	E1	H
8630BB117001	Pg 7	19,0	21,0	5,0
8631BB117001	Pg 9	22,0	24,0	5,0
8632BB117001	Pg 11	24,0	26,0	5,0
8633BB117001	Pg 13,5	27,0	29,0	6,0
8634BB117001	Pg 16	30,0	33,0	6,0
8635BB117001	Pg 21	36,0	39,0	7,0
8636BB117001	Pg 29	46,0	50,0	7,0
8637AA117001	Pg 36	60,0	66,0	8,0
8638AA117001	Pg 42	65,0	72,8	8,0
8639AA117001	Pg 48	70,0	78,0	8,0

DIN ISO 5456-2



Material:

PA6 GF 30 (Pg7 - Pg29) RAL 7001
PA6 (PG36 - Pg48) RAL 7001

"RoHS conformity"

SCALE:

Part number:
SEE TABLE

Drawing no: 17.12.06.863X.E.0

Date: 06.12.17

Name: R.F.

Description:

PG THREAD HEXAGONAL LOCKNUTS

PG 7 - Pg 48



fastpoint

Rev.

Date

Name