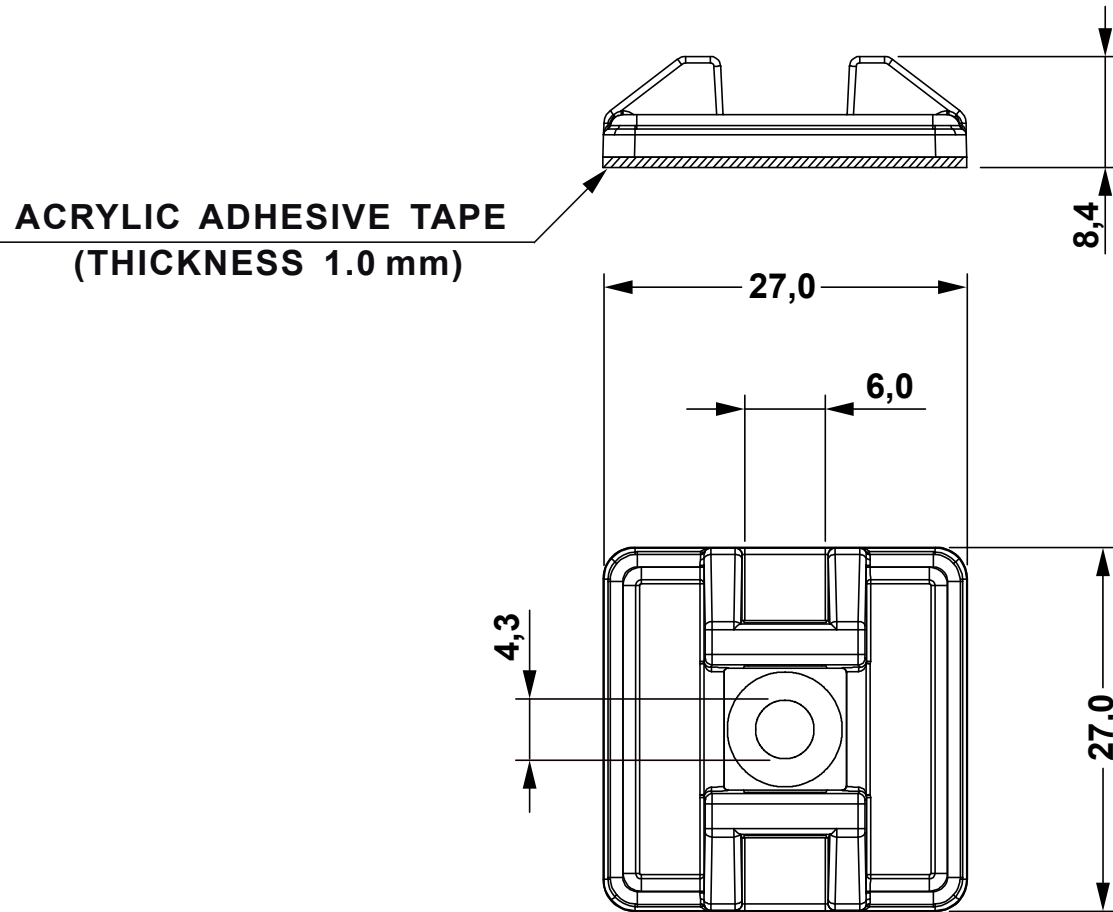



DIM.	TOL.
5mm DOWN	±0.2
5~20mm	±0.3
20~40mm	±0.4
40~60mm	±0.5
60~100mm	±0.8
100mm UP	±1.0

REVISIONS			
REV	DESCRIPTION	DATE	BY



REV.	DESCRIPTION	DATE	TITLE: SELF-ADHESIVE BASE	FILE:	DwN: 10/10/17	ChkD:
	MATERIAL: ABS		Modelled in RHINO 4.0			
	COLOUR: NATURAL		TOLLERANCES UNLESS NOTED	SHEET: 1 OF 1	DT: 17.10.10.8030.0.E	Part Number: 8030HA00CS
			SEE ABOVE	SCALE: NTS		

DWG UNIT: MM