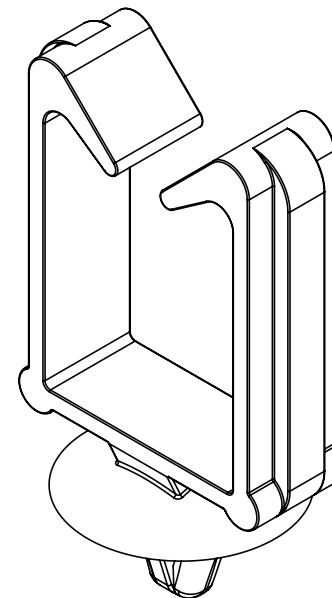
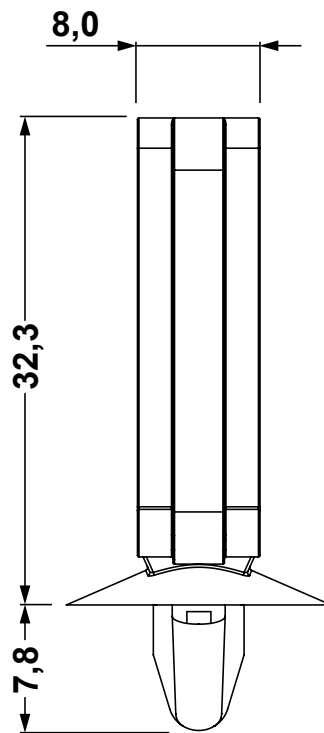
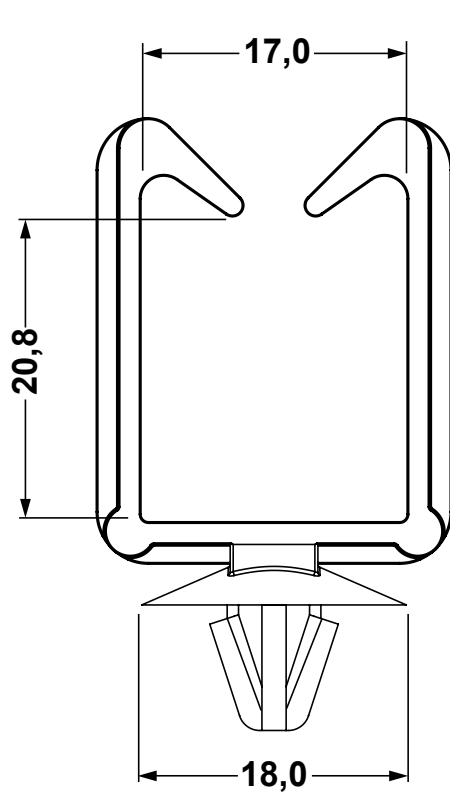


DIM.	TOL.
5mm DOWN	±0.2
5~20mm	±0.3
20~40mm	±0.4
40~60mm	±0.5
60~100mm	±0.8
100mm UP	±1.0

REVISIONS			
REV	DESCRIPTION	DATE	BY



NOTES:
MOUNTING HOLE: Ø6,5
THICKNESS: 0,6 - 0,2

REV.	DESCRIPTION	DATE	TITLE: WIRE & PIPE CLIPS TOP OPENING	DWG UNIT: MM
	MATERIAL: PA66 V2(UL94)		Modelled in RHINO 4.0	FILE: DwN: 27/11/17
	COLOUR: NATURAL		TOLLERANCES UNLESS NOTED	ChkD: DT: 17.11.27.5544.0.E. Part Number: 5544AA00
			SEE ABOVE	SCALE: 2:1

