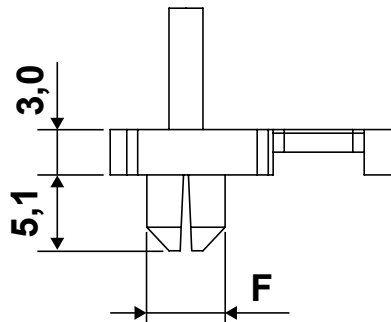
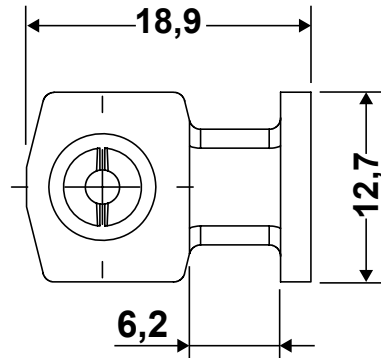



DIM.	TOL.
5mm DOWN	±0.2
5~20mm	±0.3
20~40mm	±0.4
40~60mm	±0.5
60~100mm	±0.8
100mm UP	±1.0

REVISIONS			
REV	DESCRIPTION	DATE	BY



P/N	F
4789AA00	Ø 3,6
4790AA00	Ø 4,3
4791AA00	Ø 5,0

PANEL THICKNESS 0,8 - 3,0 mm

		TITLE CABLE TIE MOUNTS	
		MATERIAL PA66 V2(UL94)	DATE 10/10/2017
PART NUMBER SEE TABLE		DRAWING NUMBER 17.10.10.47XX.0.E	
DRAWN R.F.		COLOR NATURAL	CHECK
SIZE A4	SCALE NTS	UNIT mm.	REV A
UNLESS OTHERWISE SPECIFIED TOLERANCE SEE ABOVE		APPROVED	