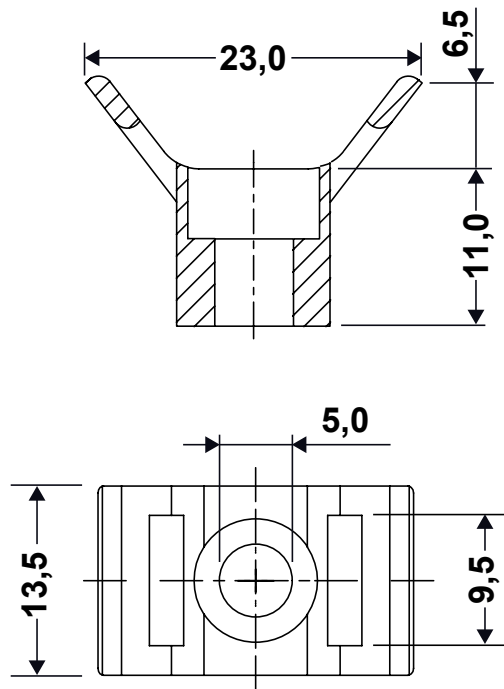



DIM.	TOL.
5mm DOWN	±0.2
5~20mm	±0.3
20~40mm	±0.4
40~60mm	±0.5
60~100mm	±0.8
100mm UP	±1.0

REVISIONS			
REV	DESCRIPTION	DATE	BY



				TITLE CABLE TIE MOUNTS	
				MATERIAL PA66 V2(UL94)	DATE 09/10/2017
PART NUMBER 1298AA01				DRAWN R.F.	
DRAWING NUMBER 17.10.09.1298.0.E				CHECK	
COLOR BLACK				APPROVED	
SIZE A4	SCALE NTS	UNIT mm.	REV A	UNLESS OTHERWISE SPECIFIED TOLERANCE SEE ABOVE	