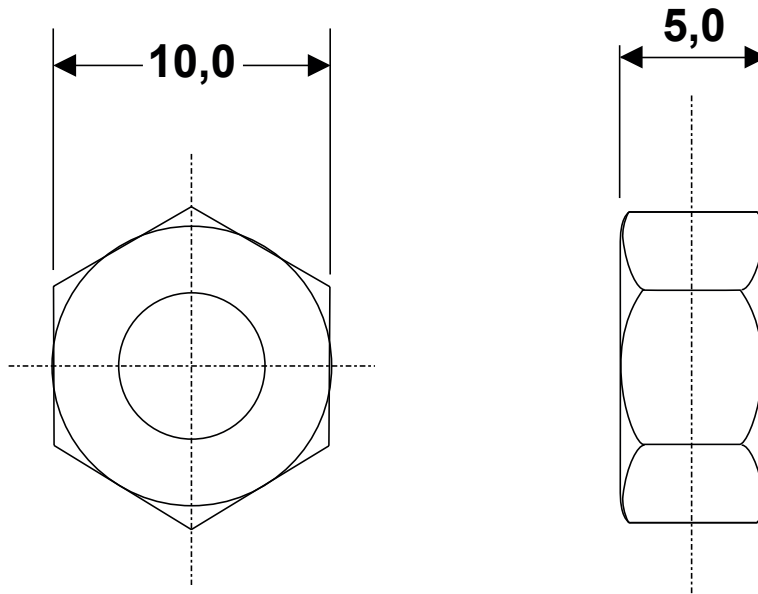



DIM.	TOL.
5mm DOWN	±0.2
5~20mm	±0.3
20~40mm	±0.4
40~60mm	±0.5
60 100mm	±0.8
100mm UP	±1.0

REVISIONS			
REV	DESCRIPTION	DATE	BY



NOTES:
THREAD: M6
DIN: 34814



				TITLE HEXAGONAL NUT			
				MATERIAL PA66 V2 (UL94)		DATE 04/10/2017	
				COLOR NATURAL		DRAWN R.F.	
PART NUMBER 10416AA00		DRAWING NUMBER 17.10.04.10416.0.E		CHECK			
SIZE A4	SCALE NTS	UNIT mm	REV A	UNLESS OTHERWISE SPECIFIED TOLERANCE SEE ABOVE			
APPROVED							