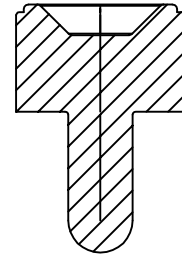
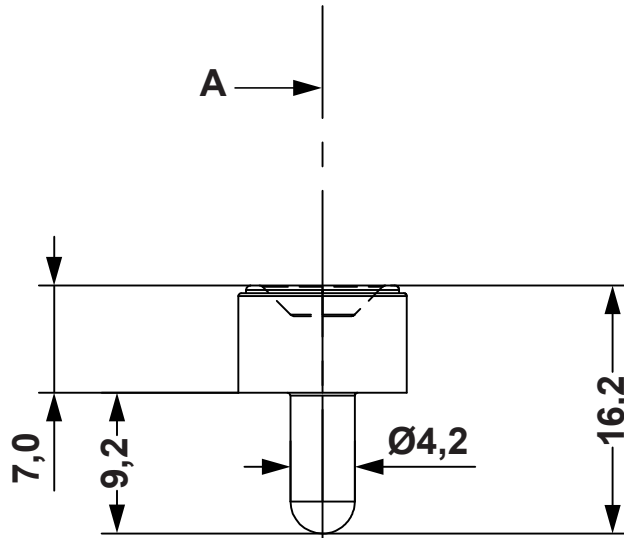
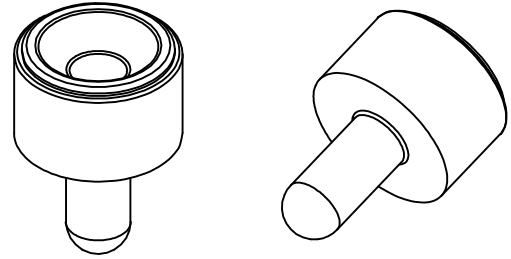
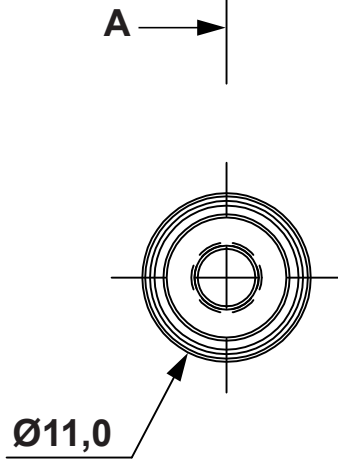



DIM.	TOL.
5mm DOWN	±0.2
5~20mm	±0.3
20~40mm	±0.4
40~60mm	±0.5
60~100mm	±0.8
100mm UP	±1.0

REVISIONS			
REV	DESCRIPTION	DATE	BY



**SECTION A-A**



				TITLE <b>FEET AND PUSH-IN BUMPERS</b>	
				MATERIAL SOFT PVC	
PART NUMBER 0424CA01				DRAWING NUMBER 17.11.27.0424.0.E	
COLOR BLACK				CHECK R.F.	
SIZE A4	SCALE NTS	UNIT mm.	REV A	UNLESS OTHERWISE SPECIFIED TOLERANCE SEE ABOVE	
				APPROVED	