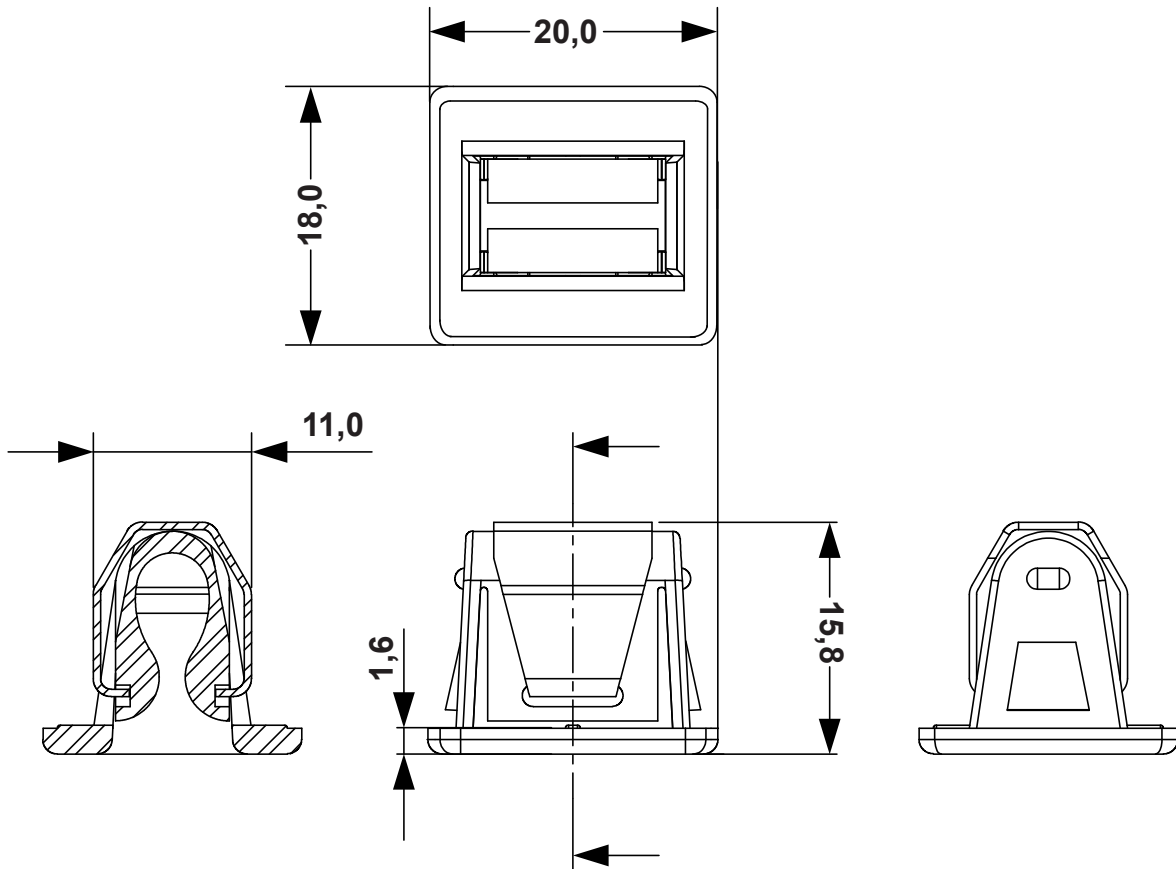
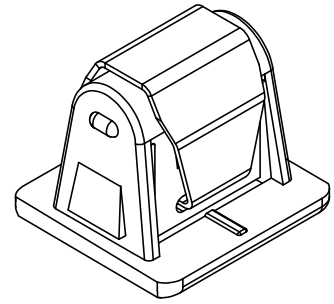
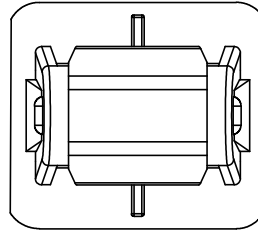



DIM.	TOL.
5mm DOWN	±0.2
5~20mm	±0.3
20~40mm	±0.4
40~60mm	±0.5
60~100mm	±0.8
100mm UP	±1.0

REVISIONS			
REV	DESCRIPTION	DATE	BY



NOTES:
MOUNTING HOLE: 16,5 x 11,5
THICKNESS: 1,0 ~ 1.5

				TITLE LATCHES	
				MATERIAL PA66 V2(UL94)	
PART NUMBER 0191AA01				DRAWING NUMBER 17.12.18.0191.0.E	
COLOR BLACK				CHECK R.F.	
SIZE A4	SCALE NTS	UNIT mm.	REV A	UNLESS OTHERWISE SPECIFIED TOLERANCE SEE ABOVE	
				APPROVED	