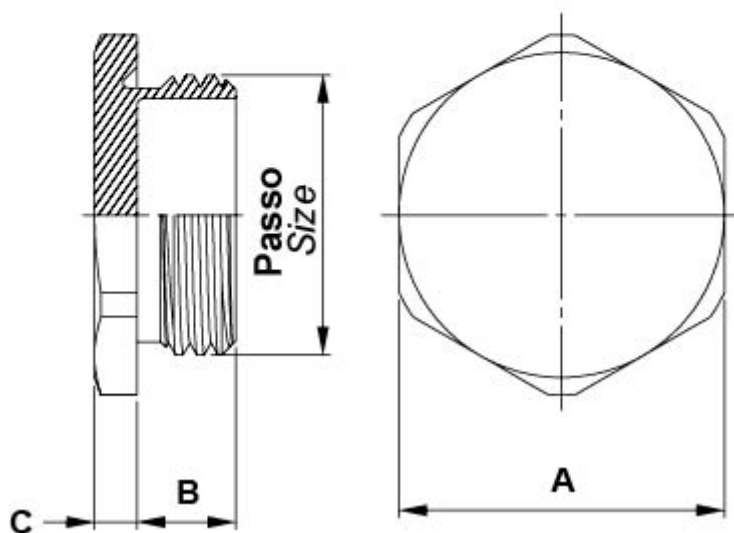


TAPPI ESAGONALI IN ACCIAIO INOX METRICI



Descrizione tecnica

Materiale: Acciaio inox
 Metrico secondo (EN60423)
 Tutte le quote sono in mm
 O-ring: Nitrile (opzionale)



Codice	Passo	A	B	C	Conf./pezzi
15221MD90	M12	17,0	7,0	3,0	1
15222MD90	M16	19,0	7,0	3,0	1
15223MD90	M20	23,0	7,0	3,0	1

Codice	Passo	A	B	C	Conf./pezzi
15224MD90	M25	29,0	8,0	3,5	1
15225MD90	M32	39,0	8,5	4,0	1
15226MD90	M40	45,0	8,5	4,0	1
15227MD90	M50	58,0	9,5	5,0	1
15228MD90	M63	70,0	10,5	7,0	1