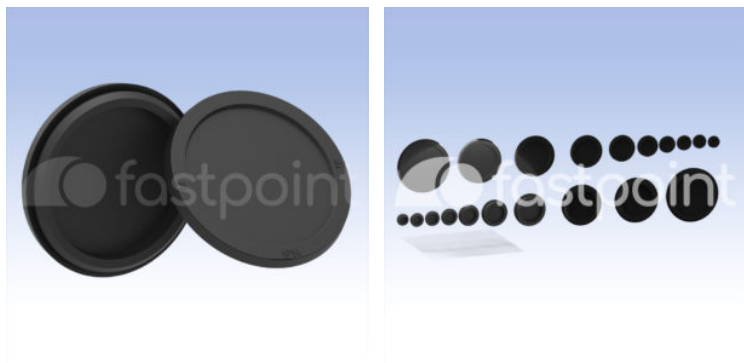


PASSACAVI CON MEMBRANA IP54



Descrizione tecnica

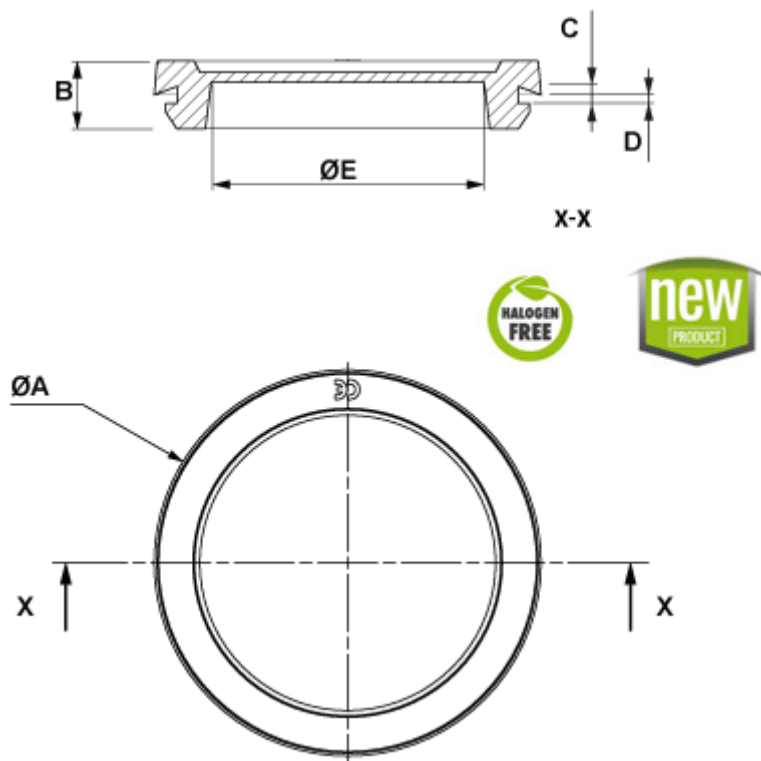
Materiale: Vedi tabella

Colore: Nero

Autoestinguenza: Vedi tabella

Temperatura d'esercizio: -40°C ~ +100°C

Tutte le quote sono in mm



Codice	A	B	C	D	E	Foro	Materiale	Conf./pezzi
16468PS01	20,0	7,0	2,0	1,0	9,0	15,5	TPE-SEPS	100

Codice	A	B	C	D	E	Foro	Materiale	Conf./pezzi
16468PV01	20,0	7,0	2,0	1,0	9,0	15,5	TPE-SEPS V0	100
16469PS01	20,0	7,0	2,0	1,0	11,0	18,5	TPE-SEPS	100
16469PV01	20,0	7,0	2,0	1,0	11,0	18,5	TPE-SEPS V0	100
16470PS01	25,0	7,0	2,0	1,0	13,5	20,5	TPE-SEPS	100
16470PV01	25,0	7,0	2,0	1,0	13,5	20,5	TPE-SEPS V0	100
16471PS01	28,0	7,0	2,0	1,0	16,0	22,5	TPE-SEPS	100
16471PV01	28,0	7,0	2,0	1,0	16,0	22,5	TPE-SEPS V0	100
16472PS01	35,0	9,0	3,0	1,0	21,0	28,0	TPE-SEPS	100
16472PV01	35,0	9,0	3,0	1,0	21,0	28,0	TPE-SEPS V0	100
16473PS01	44,0	10,0	3,0	1,0	29,0	37,0	TPE-SEPS	100
16473PV01	44,0	10,0	3,0	1,0	29,0	37,0	TPE-SEPS V0	100
16474PS01	54,0	12,0	3,0	1,5	36,0	47,0	TPE-SEPS	100
16474PV01	54,0	12,0	3,0	1,5	36,0	47,0	TPE-SEPS V0	100
16475PS01	68,0	12,0	3,0	1,5	48,0	60,0	TPE-SEPS	100
16475PV01	68,0	12,0	3,0	1,5	48,0	60,0	TPE-SEPS V0	100
17856PS01	75,0	12,0	3,0	1,5	53,0	64,0	TPE-SEPS	100
17856PV01	75,0	12,0	3,0	1,5	53,0	64,0	TPE-SEPS V0	100
17863PS01	90,0	12,0	3,0	1,5	69,0	79,0	TPE-SEPS	100
17863PV01	90,0	12,0	3,0	1,5	69,0	79,0	TPE-SEPS V0	100