

SCHRAUBEN- UND MUTTERNSCHUTZKAPPEN



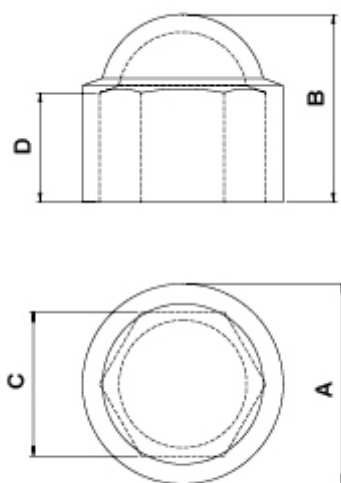
Technische Beschreibung

Material: Polyethylen LD-PE

Farbe: schwarz

Temperaturbereich: -30°C bis +60°C

Alle Maße sind in mm



Artikel	A	B	C	D	GAS	Metr.	VPE-Stckz.
4059EA01	34,0	29,0	27,0	15,0	G 3/8	M18	1.500
4061EA01	39,7	34,0	32,0	19,0	G 1/2	M22	800
4063EA01	50,1	44,0	41,0	23,0	G 3/4	M27	600
4066EA01	67,0	57,0	55,0	30,0	M36	500	
4067EA01	72,0	60,0	60,0	38,0	M39	600	

Artikel	A	B	C	D	GAS	Metr.	VPE-Stckz.
4068EA01	76,5	63,0	65,0	42,0	M42	500	
4069EA01	85,5	73,0	70,0	38,0	M45	360	
4070EA01	91,6	78,5	75,0	41,0	G 1.1/2□	M48	400
4071EA01	98,0	83,4	80,0	43,5	G 1.3/4□	M52	450
4072EA01	104,2	88,6	85,0	48,0	M56	420	
4073EA01	116,7	102,0	95,0	55,0	G 2.1/4□	M64	100
5984EA01	16,5	15,1	13,0	7,0	M8	1.000	
8017EA01	9,0	7,8	7,0	3,8	M4	1.000	
8018EA01	11,0	10,3	8,0	6,0	M5	1.000	
8019EA01	13,0	12,3	10,0	6,5	M6	1.000	
8020EA01	19,8	18,7	16,0	9,0	M10	1.000	
8021EA01	20,5	19,3	17,0	8,5	M10	1.000	
8022EA01	22,0	20,0	18,0	10,5	M12	1.000	
8023EA01	22,8	20,3	19,0	10,5	M12	1.000	
8024EA01	26,8	23,8	22,0	11,0	M14	1.000	
8025EA01	29,2	26,0	24,0	12,0	M16	1.000	
8026EA01	36,5	32,5	30,0	17,0	M20	1.000	
8027EA01	44,0	38,5	36,0	19,0	M24	1.000	
8028EA01	56,0	20,2	46,0	24,0	M30	1.000	